

1 2 3 4

A

A

B

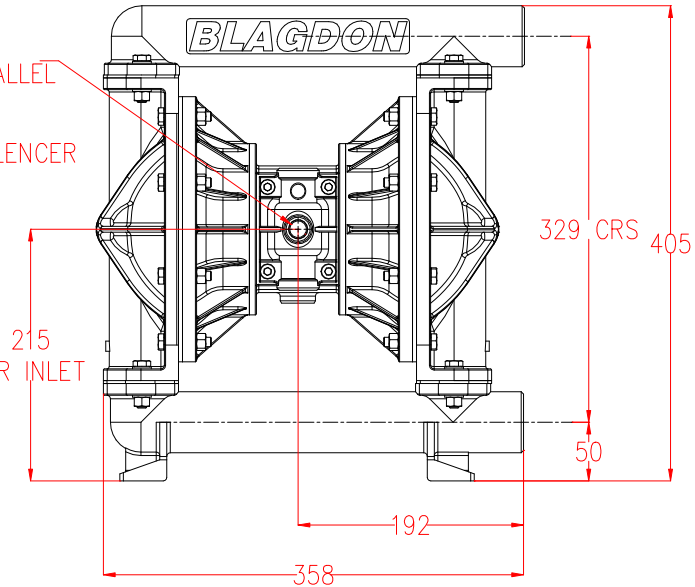
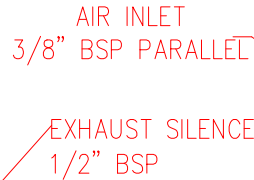
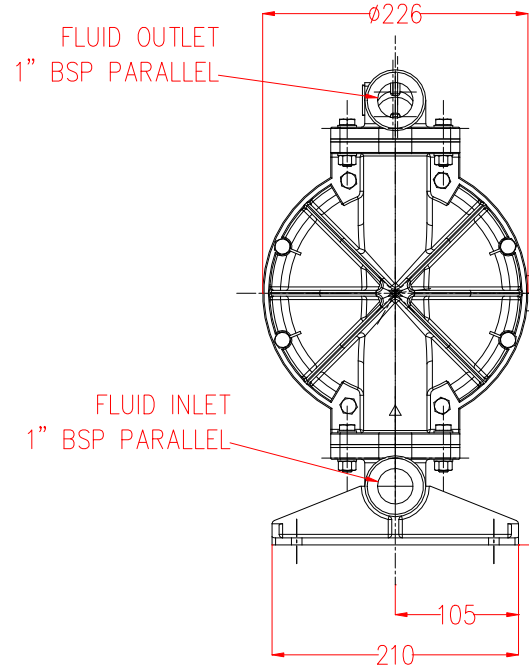
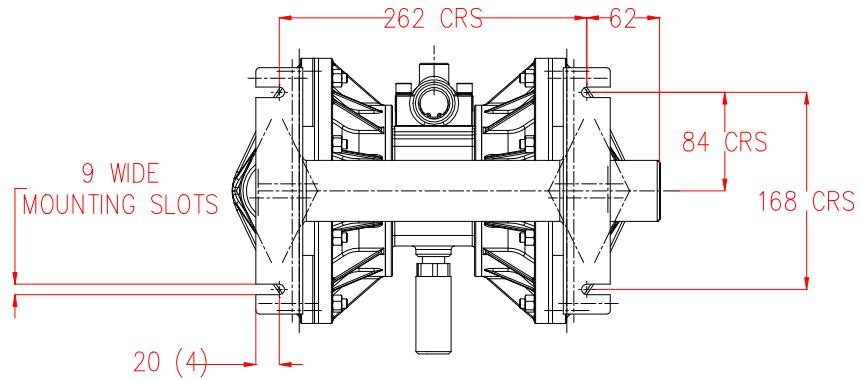
B

C

C

D

D



Remove all burrs & sharp edges (unless otherwise stated).
 Machine all surfaces denoted thus \surd $\frac{0.8}{\text{finish}}$ grade of finish is given in Micrometres (µm) – all values CLA to BS 1134 Pts 1 & 2
 All geometric tolerance requirements are to BS EN ISO 7083 : 1995
 Unless stated otherwise surface finish to be as cast, welded etc., condition.

Tolerances (unless otherwise stated)
 Decimal units denoted x.x - ±0.12
 Non-Decimal units - ±0.25
 Angles - ±0.5°

Material
 ALL ALUMINIUM
 OR CAST IRON / ALUMINIUM

BLAGDON PUMP
 A Unit of IDEX Corporation
 Lambert Road, Armstrong, Washington,
 Tyne & Wear, NE37 1QP, U.K.
 Telephone : (0191) 417 7475
 Facsimile : (0191) 417 5435

Drawing Number
 A13128-A
 Part Number
 B2503 / 04AA GA

A UPDATED TO INCLUDE '04' ACT 20.05.08

Rev	Description	Sig/Date	Scale
Drawn	ACT	23.02.05	
Checked			NTS

Title
 GENERAL ASSEMBLY

1 2 3 4