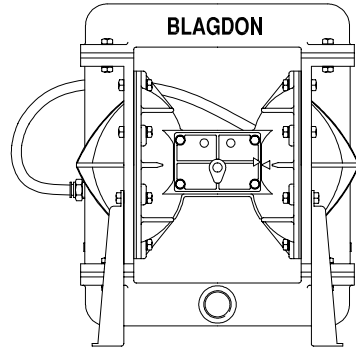


MANUAL AND PARTS LIST

B25

DIAPHRAGM PUMP
(2:1 BALL VALVE MODELS)



DISTRIBUTOR

IMPORTANT

This pump should be used in accordance with the requirements of the Health and Safety at Work Act 1974.
All business conducted subject to Blagdon Pump. Terms and Conditions of Sale, available on request.

BLAGDON PUMP

A Unit of IDEX Corporation

LAMBERT ROAD, ARMSTRONG, WASHINGTON,
TYNE & WEAR NE37 1QP
ENGLAND.
TEL. : (0191) 4177475 FAX. : (0191) 4175435
Web Site : www.blagdonpump.com
E-Mail : sales@blagdonpump.com

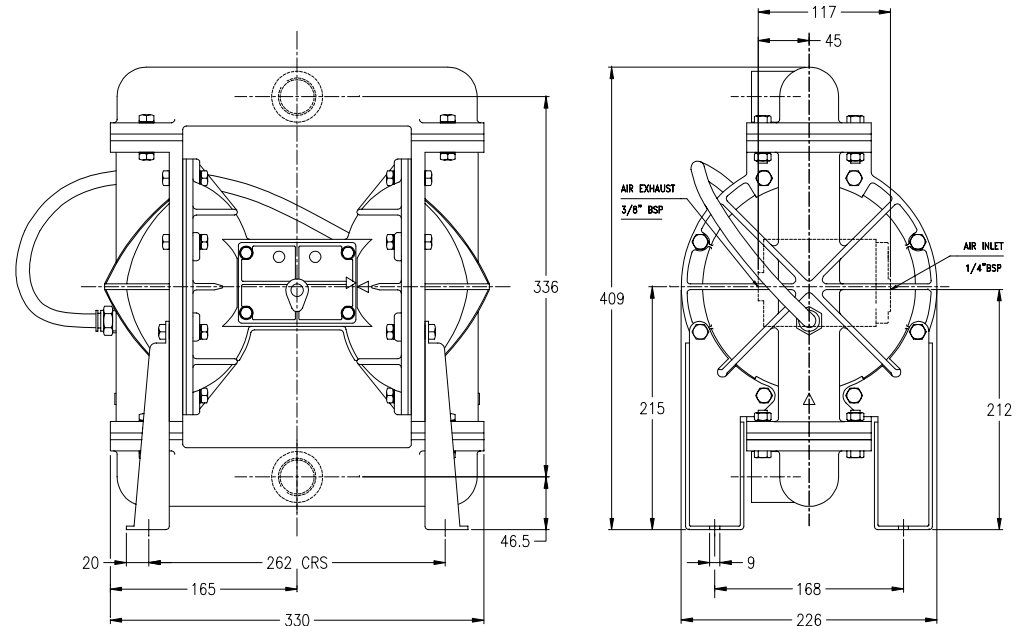
HG-CF-801 Rev.J 15.04.04

MATERIAL SPECIFICATIONS

TYPICAL CODE = 1A - AA - B1 - BBS

MODEL - B25	VALVE SEATS S : 316 STAINLESS STEEL
WETTED COMPONENTS A : ALUMINIUM C : CAST IRON S : 316 STAINLESS STEEL	VALVE BALLS T : PTFE E : EPDM N : NEOPRENE V : VITON B : BUNA-N S : ST. STEEL D : ACETAL
NON-WETTED COMPONENTS A : ALUMINIUM C : CAST IRON S : 316 STAINLESS STEEL	DIAPHRAGMS P : POLYURETHANE E : EPDM N : NEOPRENE V : VITON B : BUNA-N T : PTFE H : POLYESTER
VALVE TYPE B : BALL VALVE W : WEIGHTED BALL	
SUCTION ORIENTATION 1 : BOTTOM SUCTION 2:1 RATIO	

DIMENSIONS



TECHNICAL DATA

Max. Inlet Pressure : 8.6 bar (125 psi)
Max. Solid Particle Size : 3mm
Temperature Limits : Determined by Elastomers
Air Inlet : 1/4" BSP(F)
Fluid Inlet/Outlet : 1" BSP(F)
Maximum Discharge pressure not to exceed 10 bar.

Pump Weight : AA - 16.3 Kg
CA - 27.8 Kg
SA - 31.8 Kg
CC - 34.8 Kg
SC - 38.8 Kg
SS - 39.8 Kg

PARTS LIST

PART NUMBER WETTED COMPONENTS						
Ref No.	Cast Iron	Stainless Steel	Aluminium	Common Parts	Description	Qty
1	1A074	1A036	1A015	-	SUCTION MANIFOLD	1
2				SEE TABLE	O-RING (VALVE SEAT) ◆	8
3				1A205	VALVE SEAT	2
4	1A075	1A035	1A005	-	OUTER COVER - WET SIDE	1
5	SA10104	SA10104	SA10502	-	FRONTPLATE ASSEMBLY	2
6				SEE TABLE	DIAPHRAGM ◆	SEE TABLE
7				1A259	BACKPLATE	2
8				SEE TABLE	VALVE BALL ◆	2
9	1A073	1A077	1A053	-	DISCHARGE MANIFOLD	1
10	1A227	1A228	SA10134	-	CENTRE SECTION ASSEMBLY	1
11				1A009	BUMPSTOP	2
12	1A010	1A010	SEE ITEM 10	-	DIAPHRAGM SHAFT SEAL	2
13	1A011	1A011	SEE ITEM 10	-	DIAPHRAGM SHAFT BUSH	2
14				1A008	DIAPHRAGM SHAFT	1
15				1A030	VALVE CAP - LEFT HAND □	1
16				G122	O-RING (VALVE SPOOL) □	2
17				1A024	VALVE SPOOL	1
18				1A025	SLIDE VALVE	1
19						
20				1A031	VALVE CAP - RIGHT HAND □	1
21				1A210	BLANKING PLATE	2
22		A180		A005	BOLT M8 x 35	16
23		B179		B003	NUT M8	24
24		C193		C004	WASHER M8	32
25	1A221	1A222	1A211	-	OUTER COVER - AIR SIDE	1
26				SA10004	SILENCER	1
27				1A213	TUBE -12mm O/D	1
28				1A212	ADAPTOR	2
29		A181		A006	BOLT M8 x 40	8
30		1A225		1A018	BASE LEG - LEFT HAND	2
31		1A226		1A019	BASE LEG - RIGHT HAND	2
32				1A020	ACTUATOR PIN	1
33				1A021	PILOT VALVE SPOOL	1
34				1A026	GASKET (SLIDE VALVE PLATE) □	1
35		1A252		1A029	SLIDE VALVE PLATE	1
36		D317		D009	SOCKET CAP SCREW M4 x 20	4

PARTS LIST - cont.

Ref No.	Cast Iron	Stainless Steel	Aluminium	Common Parts	Description	Qty
37				1A028	GASKET (AIR INLET PLATE) □	1
38	1A069	1A069	1A027	-	AIR INLET PLATE	1
39		1A251		1A023	VALVE BLOCK	1
40		D389		D010	SOCKET CAP SCREW M6 x 35	3
41						
42		A182		A008	BOLT M6 x 20	4
43		C183		C007	WASHER M6	4
44				1A006	AIR SIDE DIAPHRAGM (VITON, EPDM & PTFE MODELS)	1

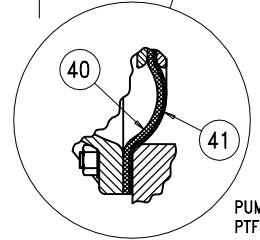
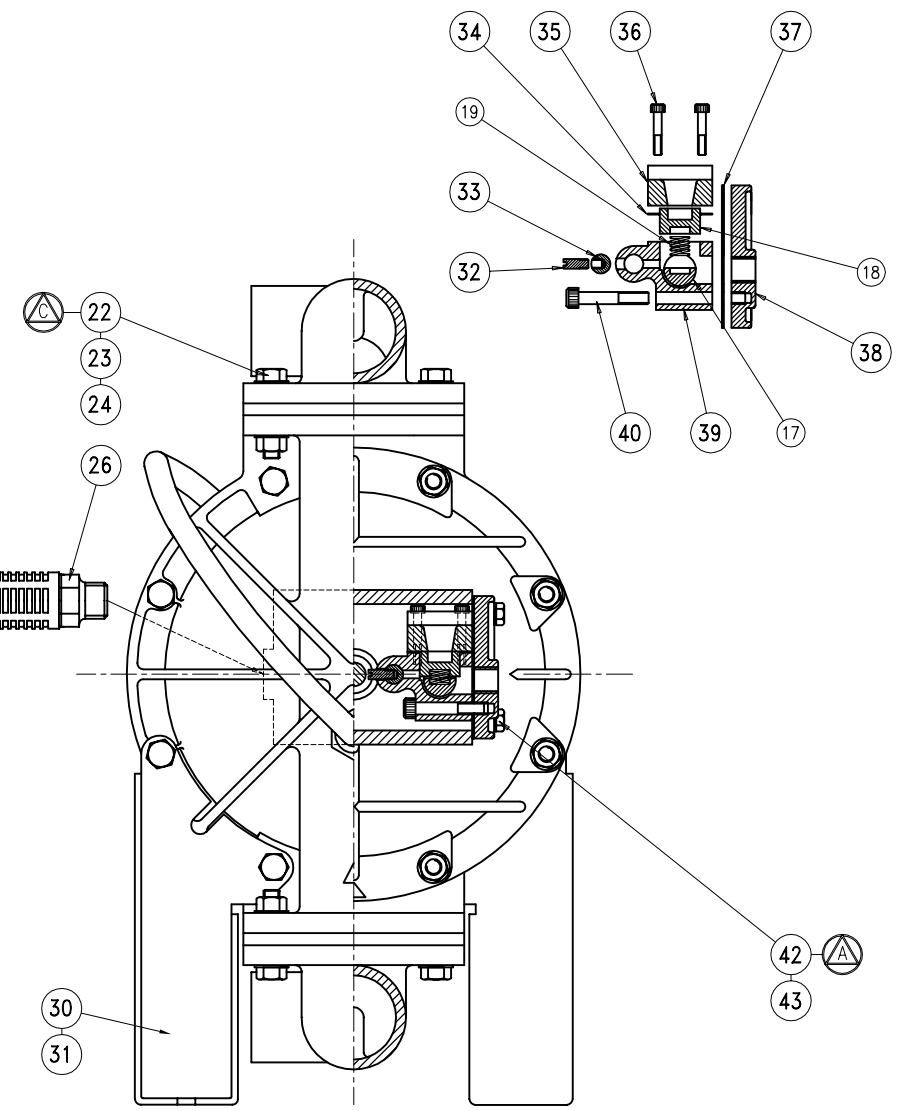
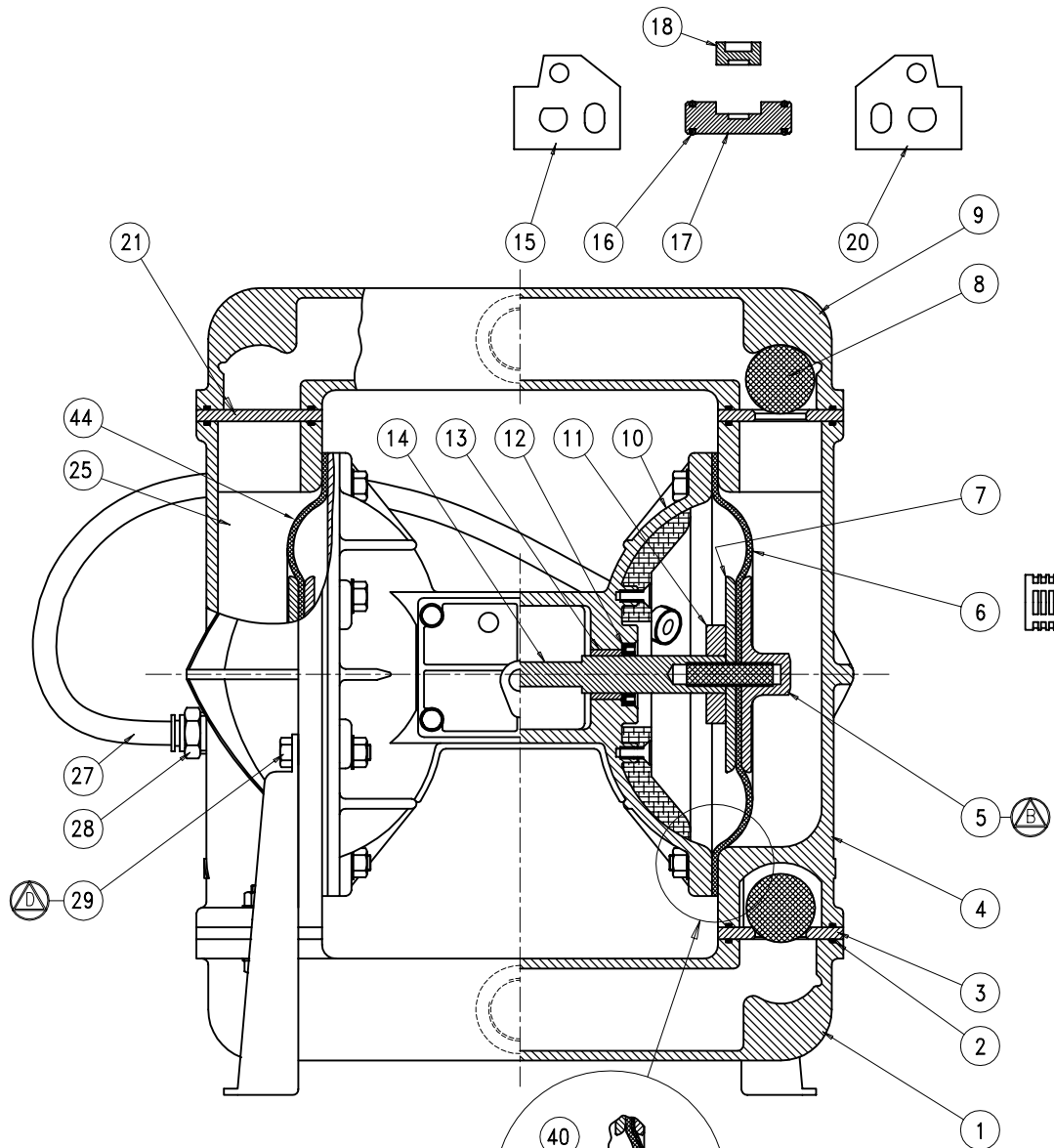
ELASTOMER TABLE						
REF	DESCRIPTION	BUNA-N	NEOPRENE	POLYESTER	POLYURETHANE	QTY
8	VALVE BALL	1A049	1A079	-	-	4
8	VALVE BALL (WEIGHTED)	1A072	1A091	-	-	4
3	VALVE SEAT O-RING	G057	G059	-	-	8
6	DIAPHRAGM	1A006	1A057	1A061	1A070	2

ELASTOMER TABLE – Cont.							
REF	DESCRIPTION	VITON	PTFE	EPDM	DELIRIN	STAINLESS	QTY
8	VALVE BALL	1A081	1A002	1A080	1A050	1A197	4
8	VALVE BALL (WEIGHTED)	1A093	-	1A092	-	-	4
3	VALVE SEAT O-RING	G061	G058	G060	-	-	4
6	DIAPHRAGM	1A039	SEE TABLE	1A040	-	-	1

PUMPS FITTED WITH PTFE DIAPHRAGMS			
REF No.	PART NUMBER	DESCRIPTION	QTY
6A	1A089	DIAPHRAGM - (BACK-UP) ◆	1
6	1A071	DIAPHRAGM - (PTFE) ◆	1

◆ - These items are available in a recommended spares kit. Please refer to your local stockist / distributor for details.

□ - These items are available in a recommended spares kit - SA10102 - Air side Kit - (All models).



PUMPS FITTED WITH PTFE DIAPHRAGMS

TORQUE SETTINGS	
A	- 8.5-9.5 Nm (6-7 lbs/ft)
B	- 42-47 Nm (30-35 lbs/ft)
C	- 27 Nm (20 lb/ft)
D	- 13.5-16 Nm (10-12 lb/ft)