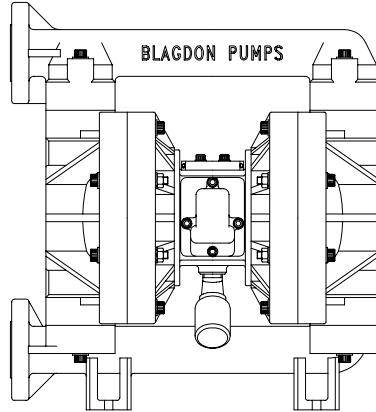


# MANUAL AND PARTS LIST

# B25

DIAPHRAGM PUMP  
(MOULDED PUMP)



DISTRIBUTOR

### IMPORTANT

This pump should be used in accordance with the requirements of the Health and Safety at Work Act 1974. All business conducted subject to Blagdon Pump. Terms and Conditions of Sale, available on request.

## BLAGDON PUMP

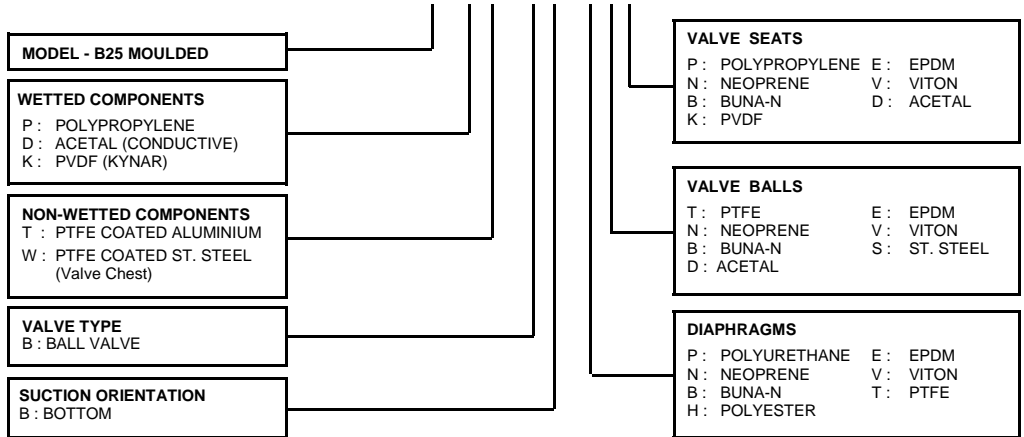
A Unit of IDEX Corporation

LAMBERT ROAD, ARMSTRONG, WASHINGTON,  
TYNE & WEAR NE37 1QP  
ENGLAND.  
TEL. : (0191) 4177475 FAX. : (0191) 4175435  
Web Site: www.blagdonpump.com  
E-Mail: sales@blagdonpump.com

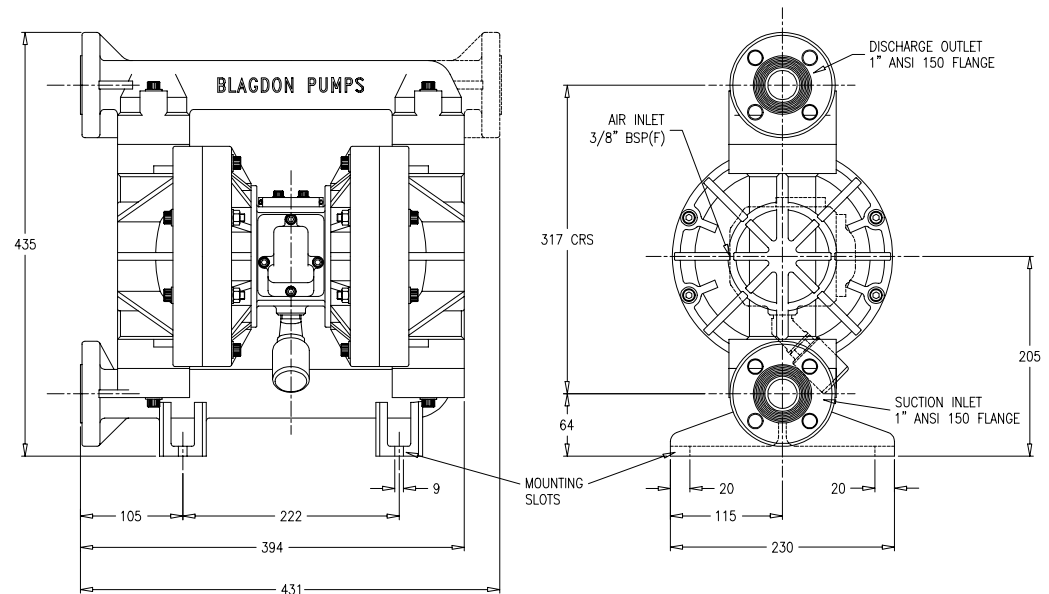
HG-CF-825 Rev H

## MATERIAL SPECIFICATIONS

TYPICAL CODE = 25 - PT - BB - ETP



## DIMENSIONS



## TECHNICAL DATA

Max. Working Pressure : 8.0 bar (116 psi)  
Max. Solid Particle Size : 3mm  
Temperature Limits : Polypropylene 70°C  
: PVDF/Acetal 90°C

Air Inlet : 3/8" BSP(F)  
Fluid Inlets : 1" ANSI 150 Flange  
Pump Weight : PP/Acetal + Alum 13.3 Kg  
: PVDF + Alum 20.0 Kg  
: PP/Acetal + St.St. 15.0 Kg  
: PVDF + St.St. 21.7 Kg

# PARTS LIST

REF No.	PART NUMBER	DESCRIPTION	QTY
1	25-004	SUCTION MANIFOLD	1
2	SEE TABLE	VALVE SEAT ◆	4
3	SEE TABLE	VALVE BALL ◆	4
4	25-001	OUTER COVER	2
5	1A007	BACKPLATE	2
6	25-002	FRONTPLATE ASSY	2
7	40-009	DIAPHRAGM SHAFT	1
8	SEE TABLE	DIAPHRAGM ◆	2
9	SEE TABLE	O-RING - MANIFOLD SEE NOTE ◆	4
10	25-003	DISCHARGE MANIFOLD	1
11	25-006	INNER COVER - LH	1
12	D380	SOCKET C'SUNK SCREW M8 x 30	8
13	G339	O-RING - COVER SCREW □	8
14	G242	O-RING - VALVE CHEST □	2
15	40-115	VALVE CHEST 40-126 †	1
16	SA10266	PILOT BLOCK	1
17	D378	SOCKET HEAD CAP SCREW M8 x 45	12
18	D379	SOCKET HEAD CAP SCREW M8 x 75	4
19	C193	WASHER M8	32
20	B179	NUT M8	8
21	25-005	INNER COVER -RH	1
22	40-033	PILOT VALVE PLATE SA10282 †	1
23	40-032	PILOT SLIDE VALVE	1
24	40-004	DISTRIBUTOR SLIDE VALVE	1
25	40-127	DISTRIBUTOR VALVE PLATE	1
26	40-117	DISTRIBUTOR BLOCK	1
27	G243	O-RING - AIR PASSAGE □	2
28	D377	SOCKET HEAD CAP SCREW M6 x 20	8
29	C183	WASHER M6	8
30	40-123	ELBOW 40-075 †	1

REF No.	PART NUMBER	DESCRIPTION	QTY
31	40-047	SILENCER	1
32	40-038	DIAPHRAGM SHAFT SEAL □	4
33	G251	O-RING - SHAFT BUSH □	2
34	G367	O-RING - SHAFT BUSH □	2
35	40-008	DIAPHRAGM SHAFT BUSH	2
36	40-125	BUFFER (MOULDED) □	2
37	40-001	DISTRIBUTOR BUSH	2
38	40-007	DISTRIBUTOR PORT SEAL □	1
39	G078	O-RING - DISTRIBUTOR BUSH □	2
40	G246	O-RING - DISTRIBUTOR BUSH □	2
41	40-003	DISRIBUTOR VALVE CARRIER	1
42	G021	O-RING - DIST. VALVE CARRIER □	2
43	G247	O-RING - PILOT BUSH □	2
44	40-034	PILOT VALVE CARRIER	1
45	40-039	SEAL - PILOT BUSH □	4
46	40-036	PILOT PORT SEAL □	1
47	G244	O-RING - PILOT HOLE □	2
48	40-035	PILOT BUSH	2
52	A443	HEX. HD. BOLT M8 x 75	8
53	40-076	PLATE SEAL - DISTRIBUTOR □	1
54	40-077	PLATE SEAL - PILOT □	1
55	G467	O-RING □	2

PUMPS FITTED WITH PTFE DIAPHRAGMS			
REF No.	PART NUMBER	DESCRIPTION	QTY
49	25-014	SUPPORT DIAPHRAGM ◆	2
50	25-016	DIAPHRAGM ◆	2
51	G229	O-RING - DIAPHRAGM ◆	2

ELASTOMER TABLE								
REF No.	DESCRIPTION	PTFE	EPDM	VITON	BUNA-N	NEOPRENE	POLYESTER	QTY
2	VALVE SEAT	-	25-009	25-010	25-011	25-029	-	4
3	VALVE BALL	1A002	1A080	1A081	1A049	1A079	-	4
3	VALVE BALL - (WTD)	-	1A092	1A093	1A072	1A091	-	4
8	DIAPHRAGM	SEE TABLE	25-012	25-013	25-014	25-023	25-015	2
9	O-RING - MANIFOLD	G431	G069	G070	G068	G067	-	4

PLASTIC WETTED COMPONENTS								
REF No.	DESCRIPTION	POLYPROPYLENE		PVDF		ACETAL		QTY
1	SUCTION MANIFOLD	25-004	25-030	25-036	25-042	25-026	25-040	1
2	VALVE SEAT	25-007		25-038		25-028		4
4	OUTER COVER	25-001		25-034		25-024		2
6	FRONTPLATE	25-002		25-035		25-025		2
10	DISCHARGE MANIFOLD	25-003	25-031	25-037	25-043	25-027	25-041	1
1" BSP(F) THREADED OPTIONS								

◆ - These items are available in a recommended spares kit. Please refer to your local stockist / distributor for details.

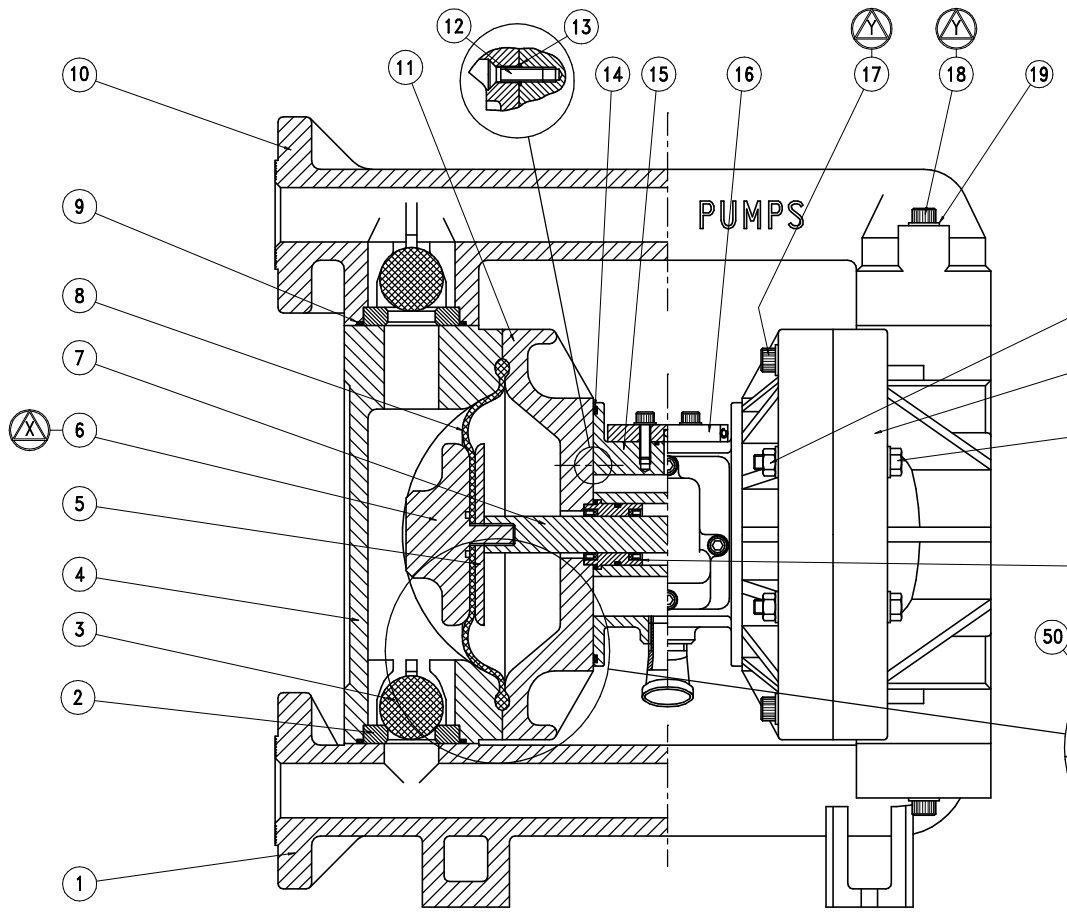
□ - These items are available in a recommended spares kit - SA10248 - Air side Kit.

† - These items should be used when using pumps with code - 25 - ?W - BB - ???

**NOTE** - When using rubber valve seats (2), item (9) o-ring is not required.

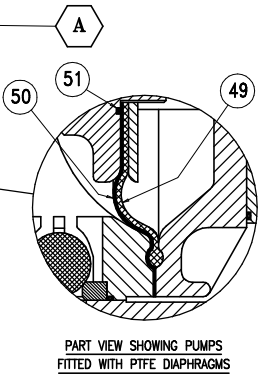
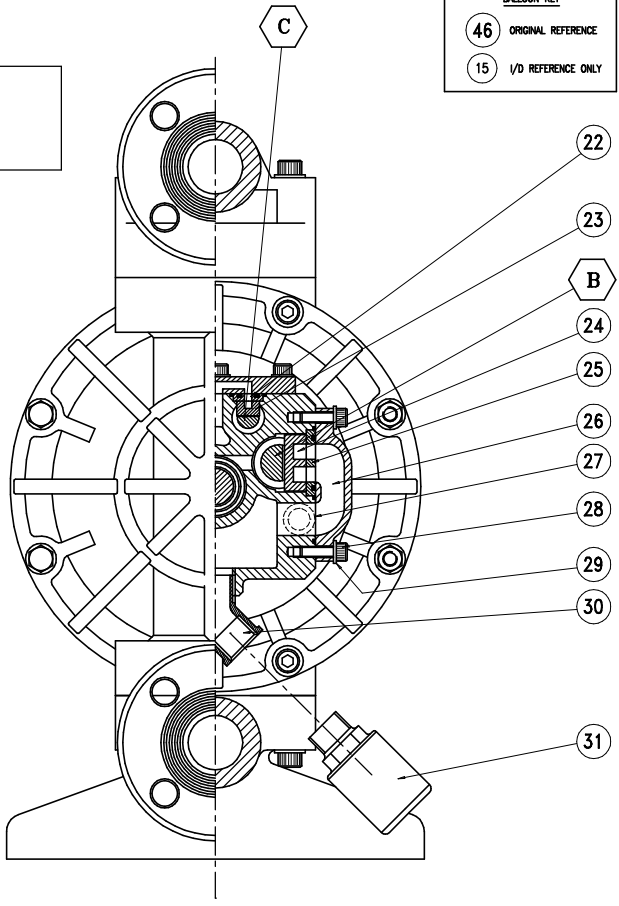
Items not shown on main drawing - for pumps designated :-  
**25 - D? - BB - ???**  
**Item (15) is replaced by Part No. :-**  
 40-130 - (25-DT-BB-???)  
 40-129 - (25-DW-BB-???)

DESCRIPTION	PART No.	QTY
EARTH LEAD	SA10288	1
GROUNDING LUG	1A014	1

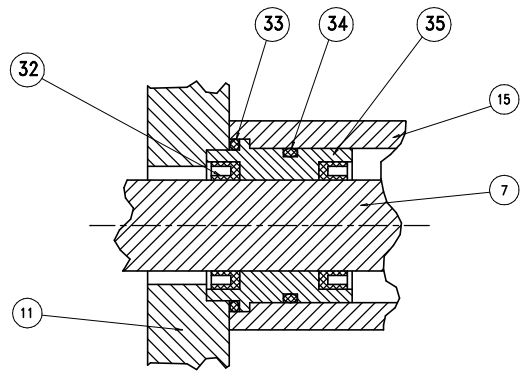


**TORQUE SETTINGS**  
 X - 27 Nm (20 lb/ft)  
 Y - 16 Nm (12 lb/ft)

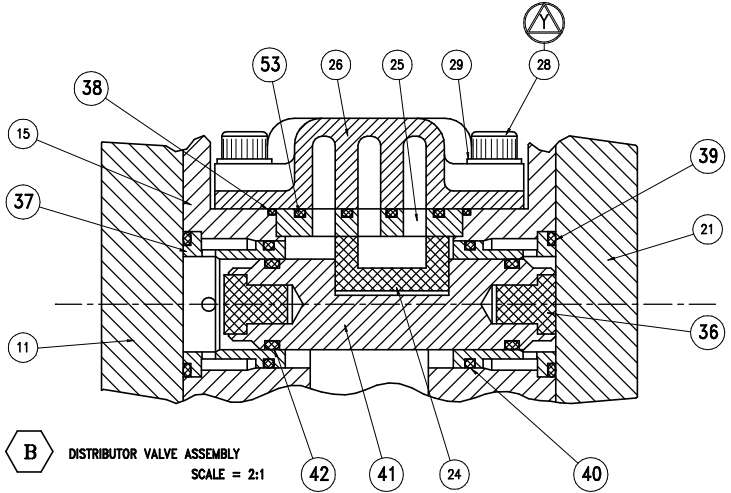
BALLOON KEY	
46	ORIGINAL REFERENCE
15	1/2 REFERENCE ONLY



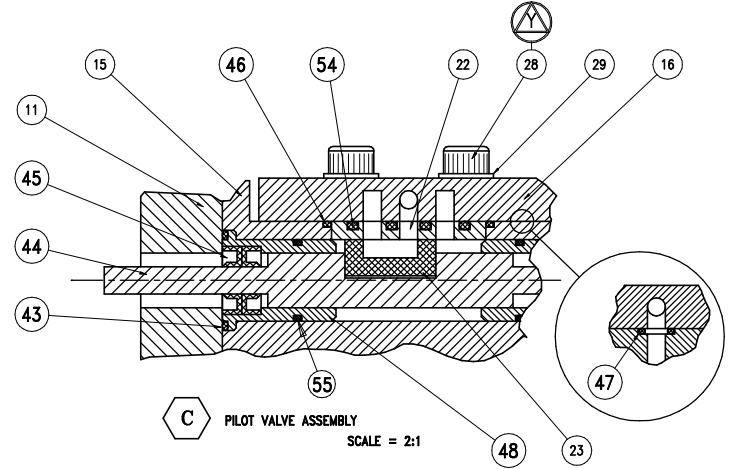
**PART VIEW SHOWING PUMPS  
 FITTED WITH PTFE DIAPHRAGMS**



**A DIAPHRAGM SHAFT SEAL ASSEMBLY  
 SCALE = 2:1**



**B DISTRIBUTOR VALVE ASSEMBLY  
 SCALE = 2:1**



**C PILOT VALVE ASSEMBLY  
 SCALE = 2:1**