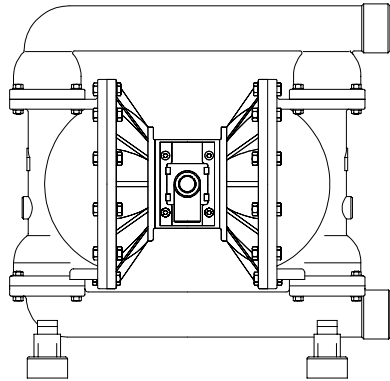


MANUAL AND PARTS LIST

B50

DIAPHRAGM PUMP
2B - All Aluminium Models



DISTRIBUTOR

IMPORTANT

This pump should be used in accordance with the requirements of the Health and Safety at Work Act 1974.

BLAGDON PUMP

A Unit of IDEX Corporation

LAMBERT ROAD, ARMSTRONG, WASHINGTON,
TYNE & WEAR NE37 1QP
ENGLAND.
TEL : (0191) 4177475
FAX : (0191) 4175435

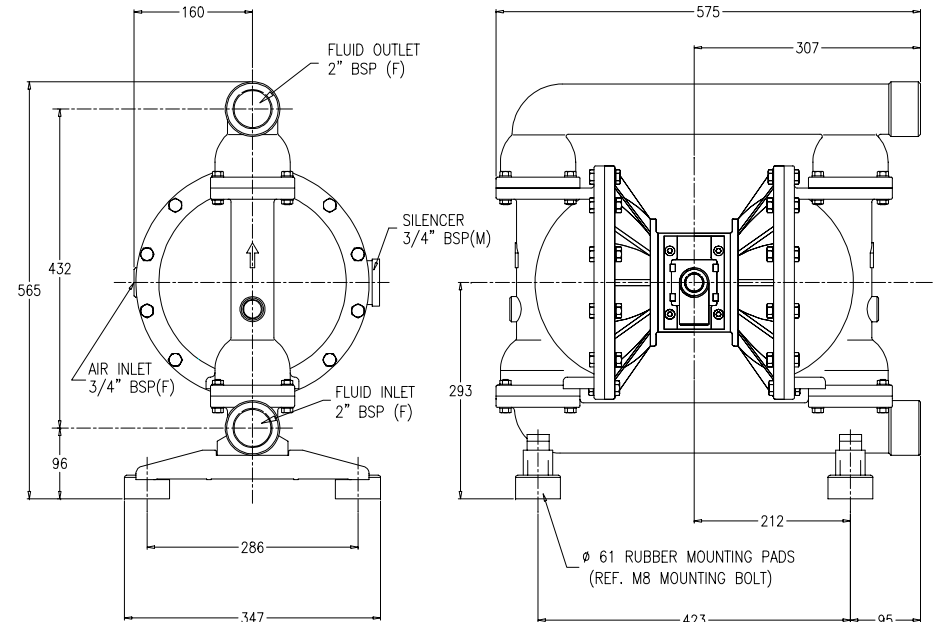
HG-CF-907 (Rev A)

MATERIAL SPECIFICATIONS

TYPICAL CODE = 2B - AA - BB - BBB

MODEL - B50 - (2B TYPE)	
WETTED COMPONENTS A : ALUMINIUM	
NON-WETTED COMPONENTS A : ALUMINIUM	
VALVE TYPE B : BALL VALVE W : WTD. BALL VALVE	
SUCTION ORIENTATION B : BOTTOM	
	VALVE SEATS S : 316 STAINLESS STEEL * : ALL RUBBER OPTIONS
	VALVE BALLS T : PTFE E : EPDM N : NEOPRENE V : VITON B : BUNA-N S : ST. STEEL D : ACETAL
	DIAPHRAGMS P : POLYURETHANE E : EPDM N : NEOPRENE V : VITON B : BUNA-N T : PTFE H : POLYESTER

DIMENSIONS



TECHNICAL DATA

Max. Working Pressure : 8.6 bar (125 psi)

Max. Solid Particle Size : 6mm

Temperature Limits : Determined by Elastomers

Air Inlet : 3/4" BSP(F)

Fluid Inlet/Outlet : 2" BSP(F)

Pump weight AA : 42 Kg

PARTS LIST

REF No.	PART NUMBER			DESCRIPTION	QTY
	COMMON	ALUMINIUM	ST. STEEL		
1	D172			SOCKET CAP SCREW M8 x 20	4
2	C013			WASHER M8	32
3	50-035			BASE LEG	2
4	50-008			SUCTION MANIFOLD	1
5	SEE TABLE	50-140	50-072	VALVE SEAT ◆	4
6		50-173	50-082	OUTER COVER RING - LOWER	4
7	SEE TABLE		1B109	VALVE BALL ◆	4
8	SA10044			FRONTPLATE ASSEMBLY	2
9	SEE TABLE			DIAPHRAGM ◆	2
10	50-006			OUTER COVER	2
11	50-009			DISCHARGE MANIFOLD	1
12	1B026			INNER COVER	2
13	D028			SOCKET CAP SCREW	12
14	D222			SOCKET CAP SCREW	4
15	C165			SPRING WASHER	4
16	A063			BOLT M10 x 40	24
17	C026			WASHER M10	24
18	1B020			DIAPHRAGM SHAFT BUSH	2
19	G091			O-RING □	4
20	SA10041			DIAPHRAGM SHAFT ASSEMBLY	1
21	1B015			BUMPSTOP	2
22	1B021			BACKPLATE	2
23	G112			O-RING □	2
24	1B130			VALVE CHEST	1
25	K076			HAMERDRIVE SCREW	4
26	1B032			NAMEPLATE	1
27	G090			O-RING □	6
28	G205			O-RING □	2
29	D117			SOCKET CAP SCREW M4 x 10	2
30	G206			O-RING □	1
31	G207			O-RING □	2
32	H125			CIRCLIP	2
33	1C021			VALVE BLOCK PLUG	2
34	G130			O-RING □	2
35	1B128			VALVE BLOCK	1
36	1B135			FILTER □	1
37	1B124			VALVE CARRIER	1
38	1B125			SLIDE VALVE	1

PARTS LIST - cont.

REF No.	PART NUMBER			DESCRIPTION	QTY
	COMMON	ALUMIN-	ST. STEEL		
39	1B126			SLIDE VALVE PLATE	1
40	1B123			PORT SEAL □	1
41	A006			BOLT M8 x 40	16
42	B003			NUT M8	12
43	B027			NUT M10	24
44	1B114			SILENCER	1
45	1B054			SUPPORT DIAPHRAGM ◆	2
46	1B039			DIAPHRAGM - PTFE ◆	2
47	SEE TABLE			O-RING ◆	4
48	SEE TABLE			O-RING ◆	4
49					
50					

ELASTOMER TABLE

REF	DESCRIPTION	BUNA-N	EPDM	VITON	NEOPRENE	QTY
5	VALVE SEAT	50-044	50-046	50-047	50-045	4
7	VALVE BALL	1B010	1B052	1B055	1B056	4
7	VALVE BALL - (WEIGHTED)	1B079	1B080	1B088	1B027	4
9	DIAPHRAGM	1B004	1B002	1B003	1B001	2
47	O-RING	G420	G418	G427	G426	4
48	O-RING	G457	G459	G460	G458	4

ELASTOMER TABLE - cont.

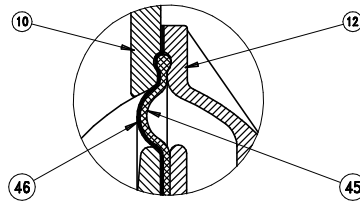
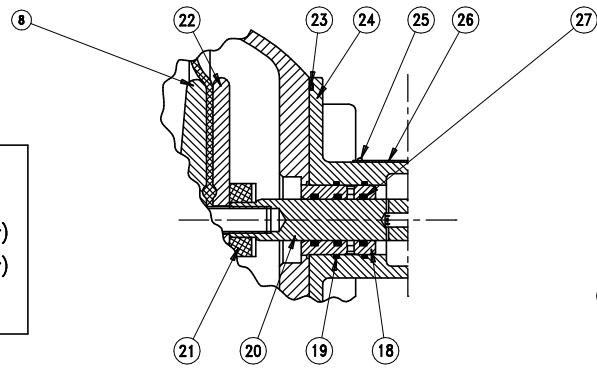
REF No.	DESCRIPTION	PTFE	POLY ESTER	DELTRIN (ACETAL)	POLYUR ETHANE	QTY
5	VALVE SEAT	50-048	-	-	-	4
7	VALVE BALL	1B053	-	1B065	-	4
9	DIAPHRAGM	SEE 53 & 54	1B029	-	1B048	4
47	O-RING	G416	-	-	-	4
48	O-RING	G461	-	-	-	4

◆ - These items are available in a recommended spares kit. Please refer to your local stockist / distributor for details.

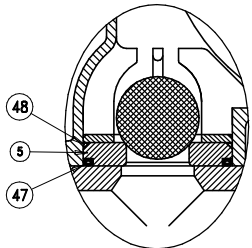
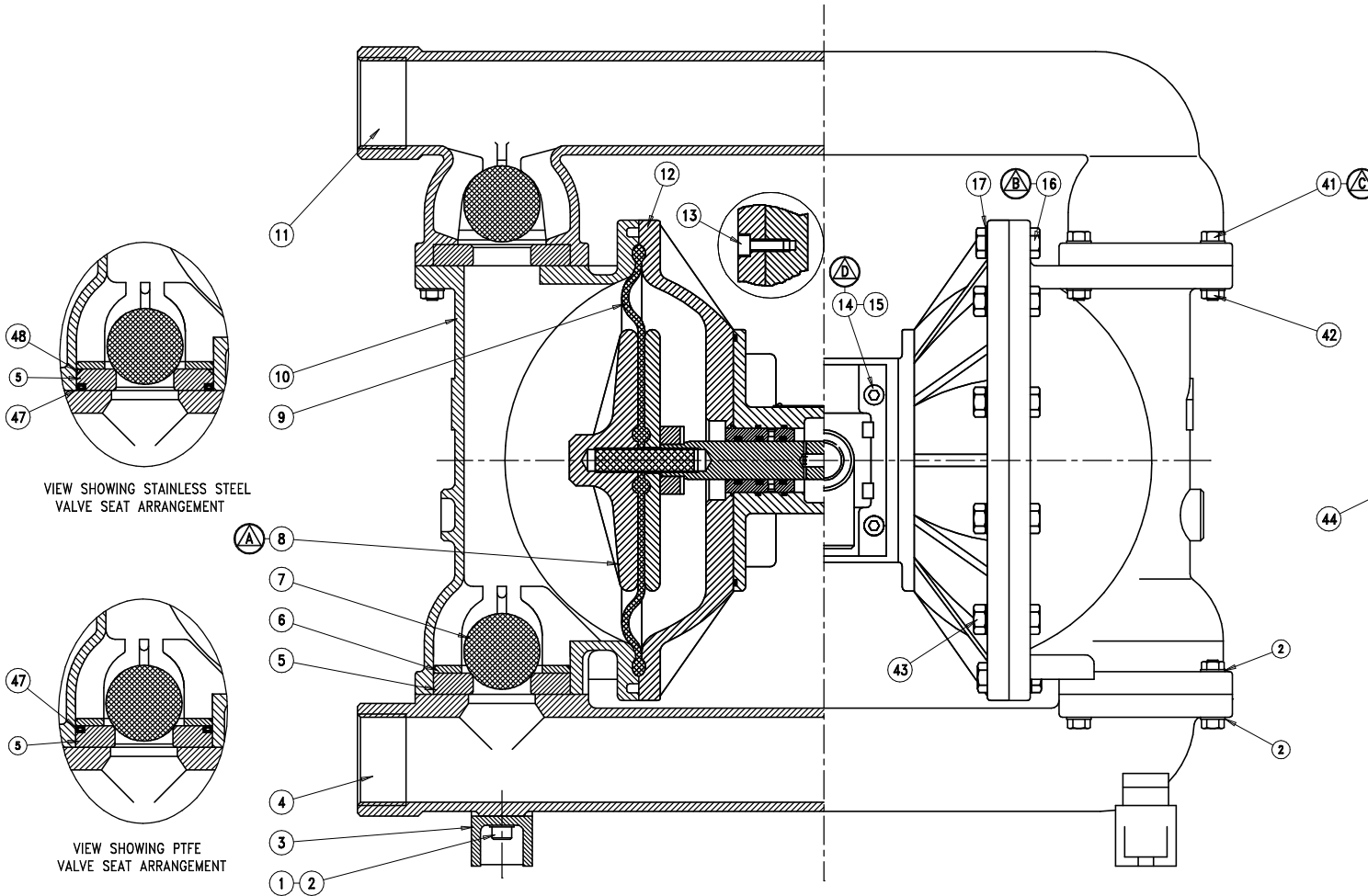
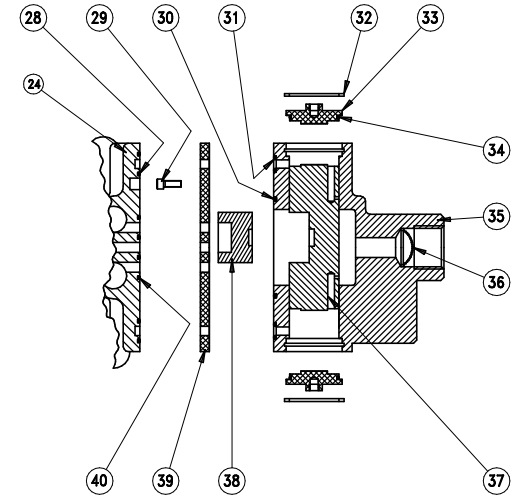
□ - These items are available in a recommended spares kit. - SA10119 - Air side kit.

NOTE! - When using rubber valve seats (5), O-rings items 47 & 48 are not required.

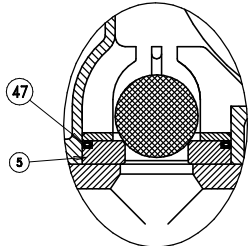
TORQUE SETTINGS	
A	- 108 Nm (79 lb/ft)
B	- 24.3 Nm (17.8 lb/ft)
C	- 24.3 Nm (17.8 lb/ft)
D	- 21.6 Nm (16 lb/ft)



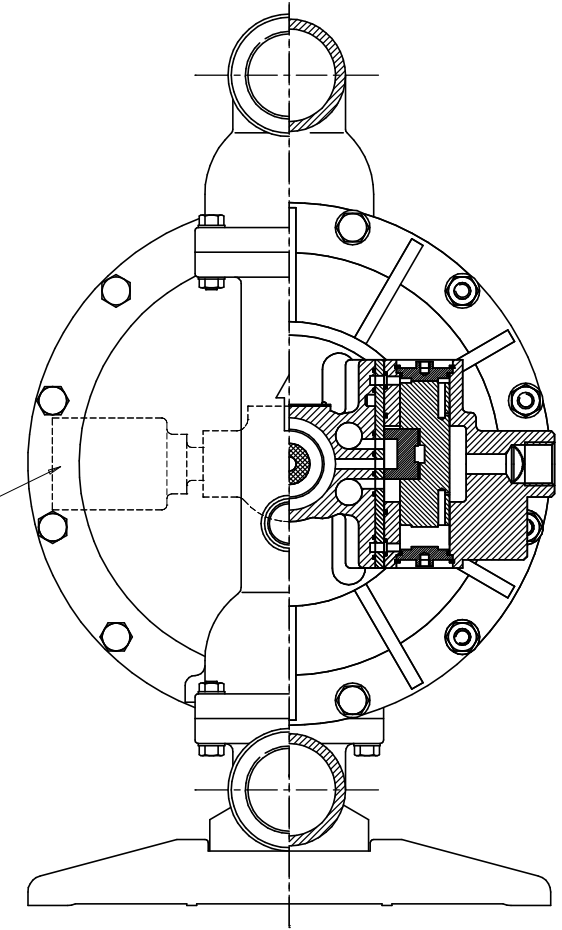
VIEW SHOWING PTFE
DIAPHRAGM ARRANGEMENT



VIEW SHOWING STAINLESS STEEL
VALVE SEAT ARRANGEMENT



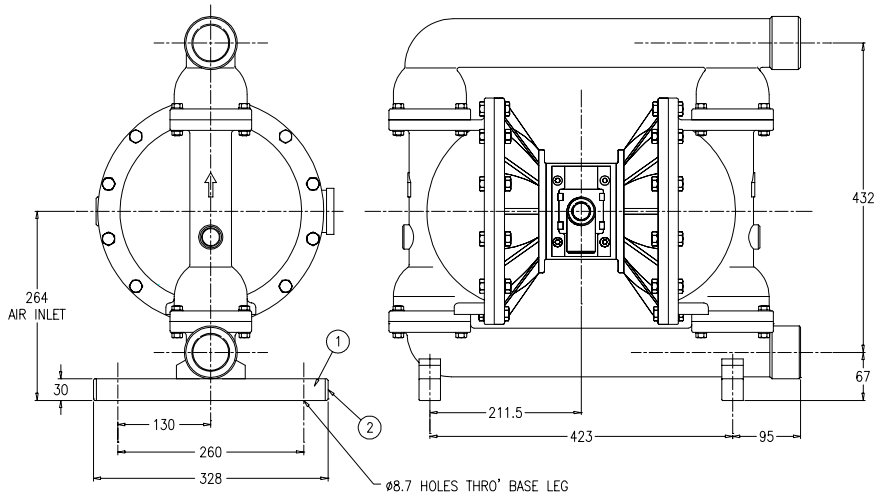
VIEW SHOWING PTFE
VALVE SEAT ARRANGEMENT



ADDENDUM

Fabricated Base Legs B50 AA & SA Pumps

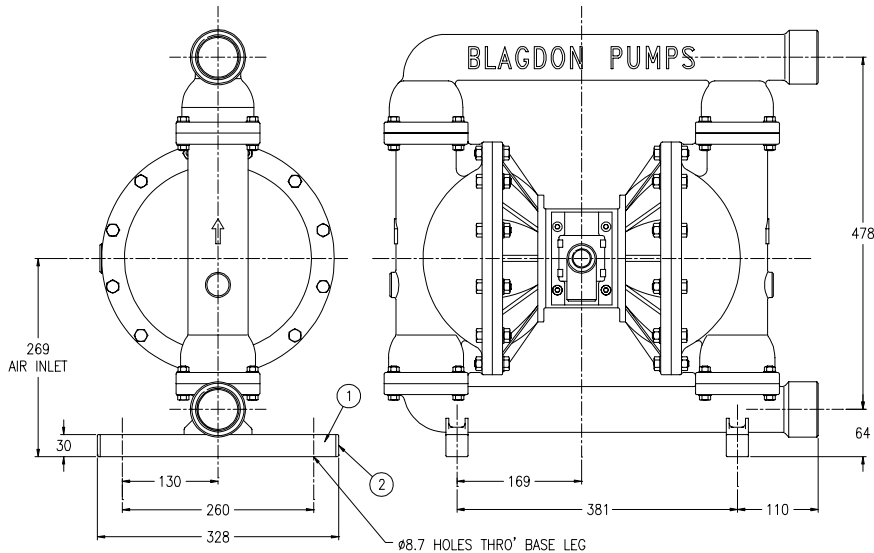
ADD-051
Rev. 0
07.01.02



AA Models
Ball Valve.

Note!

These illustrations refer to both 1:1 and 2:1 models.



SA Models
Ball Valve.

ITEM	PART No.	DESCRIPTION	QTY
1	50-074	BASE LEG - REPLACES 50-035	2
2	1B034	END CAP	4

Note! For lists of parts please refer to Manuals :-

HG-CF-907 - All Aluminium pumps, and HG-CF-946 - 2:1 models.

HG-CF-886 - Stainless Steel / Aluminium pumps, and HG-CF-969 - 2:1 models.

BLAGDON PUMP

A Unit of IDEX Corporation

LAMBERT ROAD,
ARMSTRONG, WASHINGTON,
TYNE & WEAR NE37 1QP
ENGLAND.

TEL. : (0191) 4177475

FAX. : (0191) 4175435