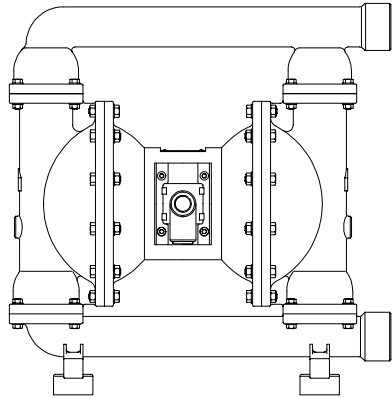


MANUAL AND PARTS LIST

B50

DIAPHRAGM PUMP
2B - All St. Steel Models



DISTRIBUTOR

IMPORTANT

This pump should be used in accordance with the requirements of the Health and Safety at Work Act 1974.

BLAGDON PUMP

A Unit of IDEX Corporation

LAMBERT ROAD, ARMSTRONG, WASHINGTON,
TYNE & WEAR NE37 1QP
ENGLAND.
TEL. : (0191) 4177475
FAX. : (0191) 4175435

HG-CF-906 (Rev B)

MATERIAL SPECIFICATIONS

TYPICAL CODE = 2B - SS - BB - BBB

MODEL - B50 - (2B TYPE)

WETTED COMPONENTS

S : 316 STAINLESS STEEL

NON-WETTED COMPONENTS

S : 316 STAINLESS STEEL

VALVE TYPE

B : BALL VALVE
W : WTD. BALL VALVE

SUCTION ORIENTATION

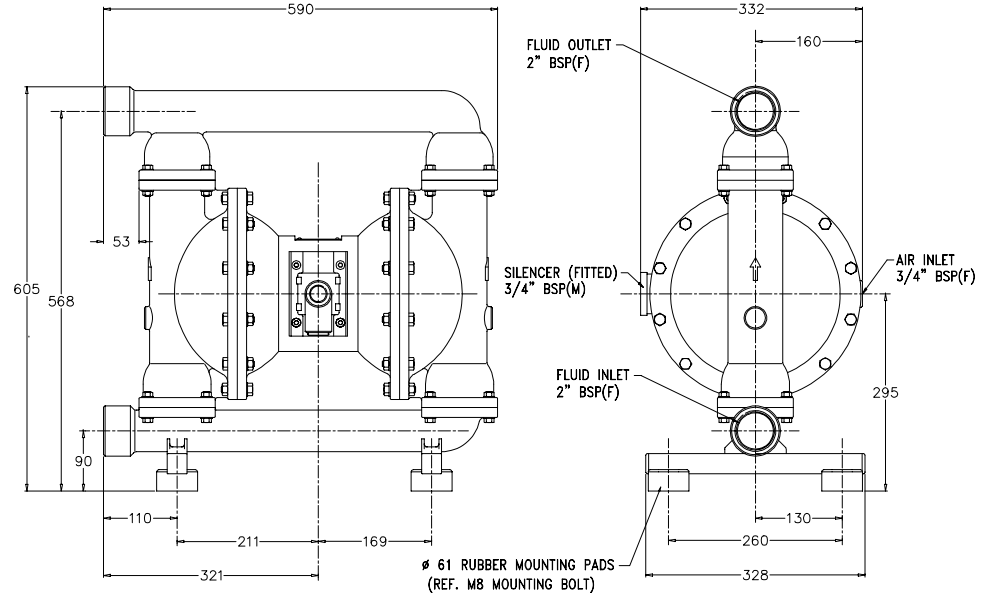
B : BOTTOM

VALVE SEATS
S : 316 STAINLESS STEEL
* : ALL RUBBER OPTIONS

VALVE BALLS
T : PTFE E : EPDM
N : NEOPRENE V : VITON
B : BUNA-N S : ST. STEEL
D : ACETAL

DIAPHRAGMS
P : POLYURETHANE E : EPDM
N : NEOPRENE V : VITON
B : BUNA-N T : PTFE
H : POLYESTER

DIMENSIONS



TECHNICAL DATA

Max. Working Pressure	: 8.6 bar (125 psi)	Air Inlet	: 3/4" BSP(F)
Max. Solid Particle Size	: 6mm	Fluid Inlet/Outlet	: 2" BSP(F)
Temperature Limits	: Determined by Elastomers	Pump weight	SS : 92 Kg

PARTS LIST

REF No.	PART No.	MATERIAL	DESCRIPTION	QTY
1	D314	A2 ST. STEEL	SOCKET CAP SCREW M8 x 20	4
2	C173	A2 ST. STEEL	WASHER M8	4
3	50-033	316 ST. STEEL	SUCTION MANIFOLD	1
4	SEE TABLE	-	VALVE SEAT ◆	4
5	50-082	316 ST. STEEL	OUTER COVER RING - LOWER	4
6	SEE TABLE	-	VALVE BALL ◆	4
7	50-052	316 ST. STEEL	OUTER COVER	2
8	SA10044	316 ST. STEEL	FRONTPLATE ASSEMBLY	2
9	SEE TABLE	-	DIAPHRAGM ◆	2
10	SEE TABLE	-	O-RING ◆	2
11	50-081	316 ST. STEEL	OUTER COVER RING - UPPER	2
12	50-032	316 ST. STEEL	DISCHARGE MANIFOLD	1
13	1B087	316 ST. STEEL	INNER COVER	2
14	SEE TABLE	-	O-RING ◆	4
15	1B015	NITRILE	BUMP STOP	2
16	SA10041	PLATED STEEL	DIAPHRAGM SHAFT ASSEMBLY	1
17	G091	NITRILE	O-RING □	4
18	1B020	PHOS. BRONZE	DIAPHRAGM SHAFT BUSH	2
19	1B021	MILD STEEL	BACKPLATE	2
20	G112	NITRILE	O-RING □	2
21	1B131	316 ST. STEEL	VALVE CHEST	1
22	K076	BRASS	HAMERDRIVE SCREW	4
23	1B032	ANOD. ALI.	NAMEPLATE	1
24	G090	NITRILE	O-RING □	6
25	A181	A2 ST. STEEL	BOLT M8 x 40	16
26	C193	A2 ST. STEEL	WASHER M8	16
27	B179	A2 ST. STEEL	NUT M8	16
28	A152	A2 ST. STEEL	BOLT M10 x 40	24
29	C146	A2 ST. STEEL	WASHER M10	24
30	B147	A2 ST. STEEL	NUT M10	24
31	1B114	ACETAL	SILENCER	1
32	G205	NITRILE	O-RING □	2
33	D322	A2 ST. STEEL	SOCKET CAP SCREW M4 x 10	2
34	G206	NITRILE	O-RING □	1
35	G207	NITRILE	O-RING □	4
36	H125	SPRING STEEL	CIRCLIP	2
37	1C021	316 ST. STEEL	VALVE BLOCK PLUG	2
38	G130	NITRILE	O-RING □	2

PARTS LIST - cont.

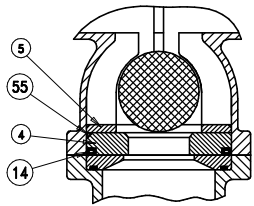
REF No.	PART No..	MATERIAL	DESCRIPTION	QTY
39	1B128	GUNMETAL - LG2	VALVE BLOCK	1
41	1B124	ANOD. ALI.	VALVE CARRIER	1
42	1B125	CARBON/PTFE	SLIDE VALVE	1
43	1B126	PLATED STEEL	SLIDE VALVE PLATE	1
44	1B123	NITRILE	PORT SEAL □	2
45	D311	A2 ST. STEEL	SOCKET C'SUNK SCREW	4
46	1B137	316 ST. STEEL	TRANSITION PLATE	1
47	50-116	PLATED STEEL	BASE LEG	2
48	1B034	PVC	BASE LEG CAP	4
49	1B025	NITRILE	BASE PAD	4
50	D310	A2 ST. STEEL	SOCKET CAP SCREW	12
51	D309	A2 ST. STEEL	SOCKET CAP SCREW	4
52	C173	A2 ST. STEEL	SPRING WASHER	4
53	1B039	PTFE	DIAPHRAGM - PTFE ◆	2
54	1B054	POLYESTER	SUPPORT DIAPHRAGM ◆	2
55	SEE TABLE	NITRILE	O-RING ◆	4

ELASTOMER TABLE						
REF	DESCRIPTION	BUNA-N	EPDM	VITON	NEOPRENE	QTY
4	VALVE SEAT	50-044	50-046	50-047	50-045	4
6	VALVE BALL	1B010	1B052	1B055	1B056	4
6	VALVE BALL - (WEIGHTED)	1B079	1B080	1B088	1B027	4
9	DIAPHRAGM	1B004	1B002	1B003	1B001	2
10	O-RING	G415	G419	G425	G424	2
14	O-RING	G420	G418	G427	G426	4
55	O-RING	G457	G459	G460	G458	4

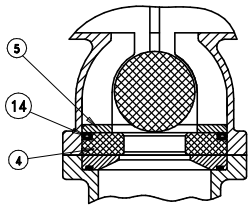
ELASTOMER TABLE - cont.							
REF No.	DESCRIPTION	PTFE	POLY ESTER	DELTRIN (ACETAL)	POLYUR ETHANE	ST. STEEL	QTY
4	VALVE SEAT	50-048	-	-	-	50-072	4
6	VALVE BALL	1B053	-	1B065	-	1B109	4
9	DIAPHRAGM	SEE 53 & 54	1B029	-	1B048		4
10	O-RING	G417	-	-	-		2
14	O-RING	G416	-	-	-		4
55	O-RING	G461	-	-	-		4

◆ - These items are available in a recommended spares kit. Please refer to your local stockist / distributor for details.

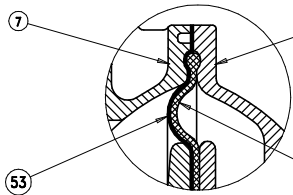
□ - These items are available in a recommended spares kit. - SA10426 - Air side kit.



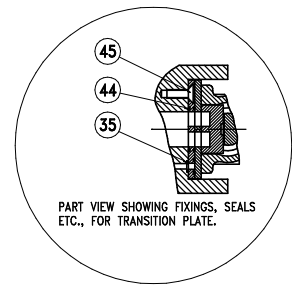
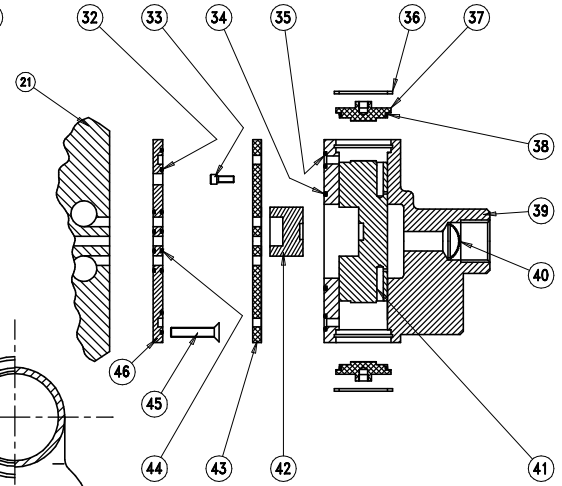
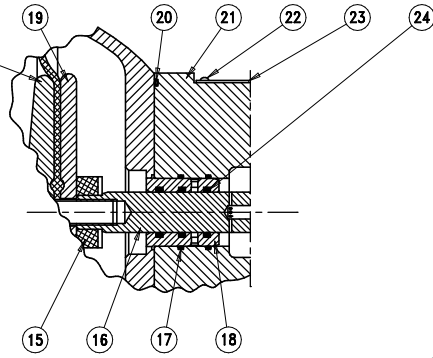
VIEW SHOWING STAINLESS STEEL
VALVE SEAT ARRANGEMENT



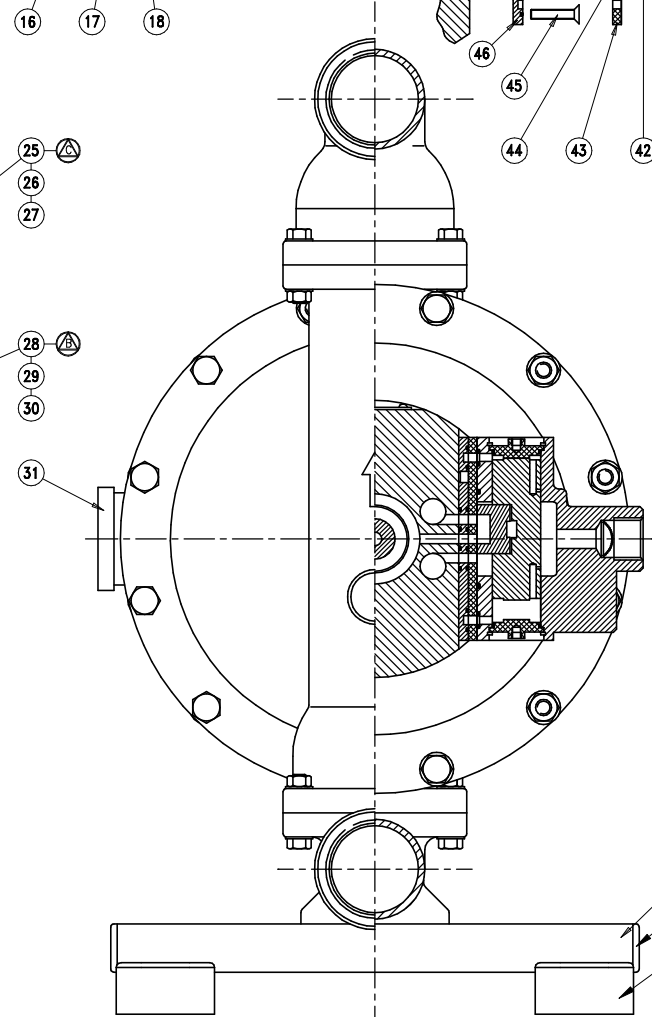
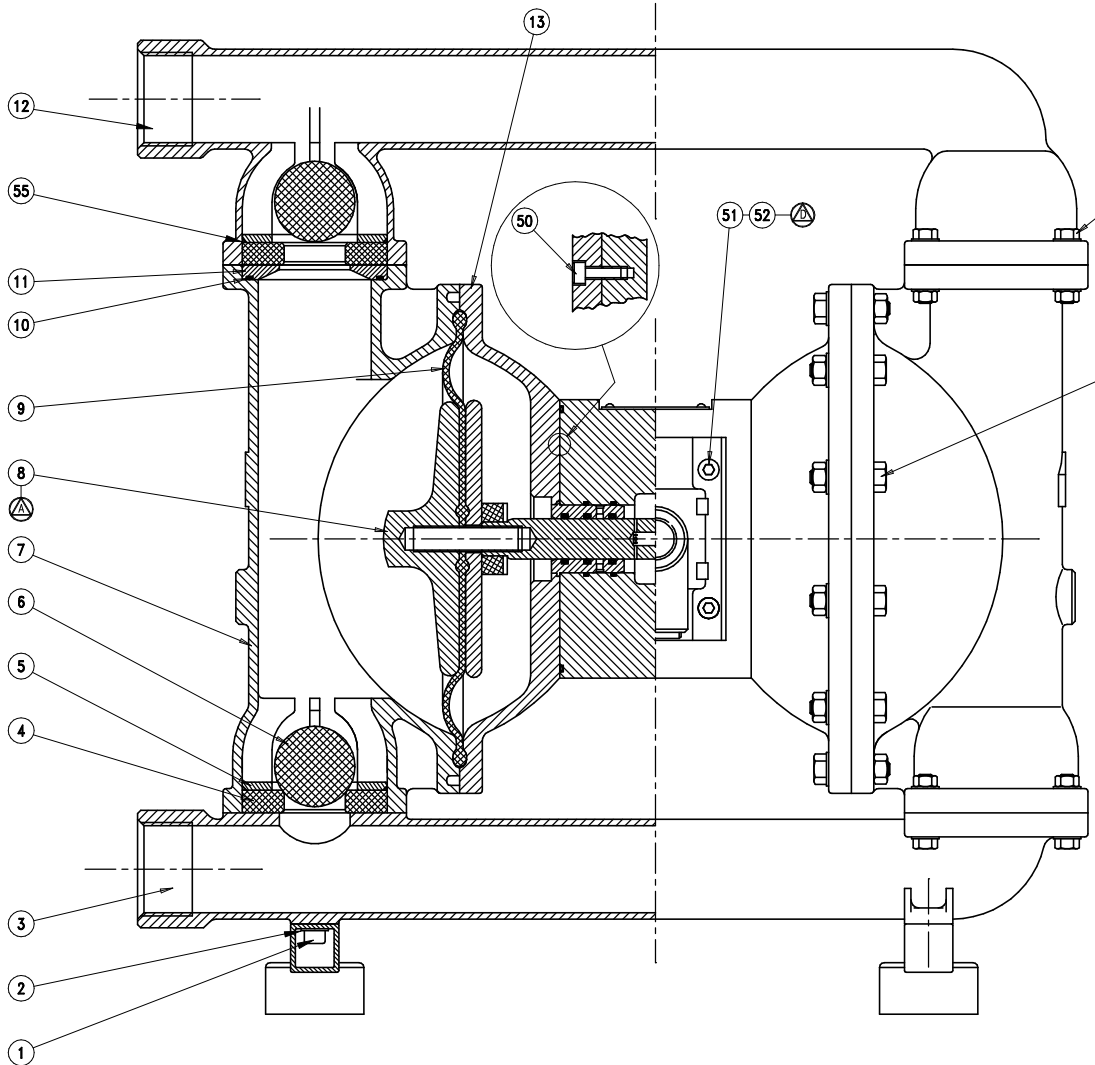
VIEW SHOWING PTFE
VALVE SEAT ARRANGEMENT



VIEW SHOWING PTFE
DIAPHRAGM ARRANGEMENT



PART VIEW SHOWING FIXINGS, SEALS
ETC., FOR TRANSITION PLATE.



TORQUE SETTINGS	
A	- 108 Nm (79 lb/ft)
B	- 24.3 Nm (18 lb/ft)
C	- 24.3 Nm (18 lb/ft)
D	- 21.6 Nm (16 lb/ft)