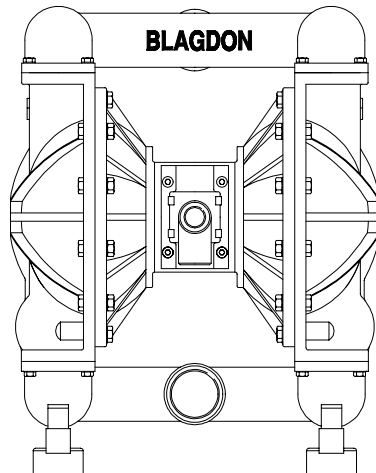


MANUAL AND PARTS LIST

B50

DIAPHRAGM PUMP
(ALUMINIUM & CAST IRON SERIES)



DISTRIBUTOR

IMPORTANT

This pump should be used in accordance with the requirements of the Health and Safety at Work Act 1974.
All business conducted subject to Blagdon Pump, Terms and Conditions of Sale, available on request.

BLAGDON PUMP

A Unit of IDEX Corporation

LAMBERT ROAD, ARMSTRONG, WASHINGTON,
TYNE & WEAR NE37 1QP
ENGLAND.
TEL.: (0191) 4177475 FAX.: (0191) 4175435
Web Site: www.blagdonpump.com
E-Mail: sales@blagdonpump.com

HG-CF-885 Rev F

MATERIAL SPECIFICATIONS

TYPICAL CODE = 1B - AA - BB - TTA

MODEL - BEAVER 50

WETTED COMPONENTS

C: CAST IRON
A: ALUMINIUM

NON-WETTED COMPONENTS

C: CAST IRON
A: ALUMINIUM

VALVE TYPE

B: BALL VALVE
W: WEIGHTED

SUCTION ORIENTATION

B: BOTTOM

VALVE SEATS

A: ALUMINIUM S: 316 ST. STEEL
B: BUNA-N N: NEOPRENE
E: EPDM V: VITON

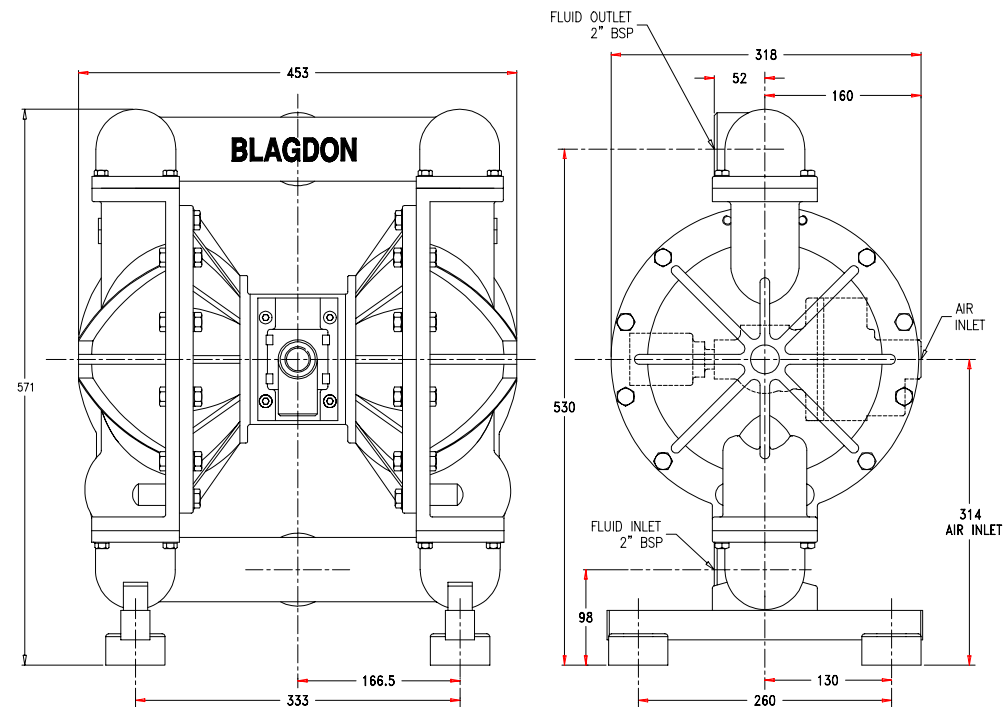
VALVE BALLS

B: BUNA-N N: NEOPRENE
E: EPDM V: VITON
T: PTFE D: DELRIN
S: 316 ST. STEEL

DIAPHRAGMS

E: EPDM N: NEOPRENE
T: PTFE B: BUNA-N
H: POLYESTER
P: POLYURETHANE
V: VITON

DIMENSIONS



TECHNICAL DATA

Max. Working Pressure : 8.6 bar (125 psi)
Max. Solid Particle Size : 6mm
Temperature Limits : Determined by Elastomers

Air Inlet : 3/4" BSP(F)
Fluid Inlet/Outlet : 2" BSP(F)
Pump Weight : AA = 41.0 Kg
CA = 70.9 Kg
CC = 87.9 Kg

PARTS LIST

REF No.	PART NUMBER			DESCRIPTION	QTY
	COMMON	ALUMIN-	CAST IRON		
1	D172			BOLT M8 x 20	4
2	C165			WASHER M8	4
3		1B007	1B069	SUCTION MANIFOLD	1
4	SEE TABLE			O-RING ◆	4
5	SEE TABLE	1B084		VALVE SEAT ◆	4
6	1B127			BALL CAGE	4
7		1B006	1B068	OUTER COVER	2
8		50-005	SA10043	FRONTPLATE ASSY	2
9	SEE TABLE			DIAPHRAGM ◆	2
10	SEE TABLE			VALVE BALL ◆	4
11		1B008	1B071	DISCHARGE MANIFOLD	1
12		1B026	1B073	INNER COVER	2
13	D222			SKT CAP SCREW M8 x 30	4
14	C165			SPRING WASHER M8	4
15	1B015			BUMP STOP	2
16	SA10041			DIAPHRAGM SHAFT	1
17	G091			O-RING □	4
18	1B020			DIAPHRAGM SHAFT BUSH	2
19		50-004	1B021	BACKPLATE	2
20	G112			O-RING □	2
21		1B130	1B129	VALVE CHEST	1
22	K076			HAMMERDRIVE SCREW	2
23	1B032			NAMEPLATE	1
24	G090			O-RING □	6
25	A108			BOLT M8 x 25	16
26	A089			BOLT M10 x 30	8
27	A063			BOLT M10 x 40	16
28	C026			WASHER M10	24
29	B027			NUT M10	16
30	1B024			BASE LEG	2
31	1B114			SILENCER	1
32	G205			O-RING □	2
33	D117			SKT CAP SCREW M4 x 10	2
34	G206			O-RING □	1
35	G207			O-RING □	2
36	H125			CIRCLIP	2
37	1C021			VALVE BLOCK PLUG	2
38	G130			O-RING □	2

PARTS LIST - cont.

REF No.	PART NUMBER			DESCRIPTION	QTY
	COMMON	ALUMINIUM	CAST IRON		
39	1B128			VALVE BLOCK	1
40	1B135			FILTER □	1
41		1B124	1B133	VALVE CARRIER	1
42					
43	1B125			SLIDE VALVE	1
44	1B126			SLIDE VALVE PLATE	1
45	1B123			PORT SEAL □	1
51	D028			SKT CAP SCREW M8 x 25	12
52	1B025			BASE PAD	4
53	1B034			END CAP	4

PUMPS FITTED WITH PTFE DIAPHRAGMS

REF No.	PART NUMBER	DESCRIPTION	QTY
49	1B054	DIAPHRAGM - (BACK-UP) ◆	2
50	1B039	DIAPHRAGM - (PTFE) ◆	2

ELASTOMER TABLE

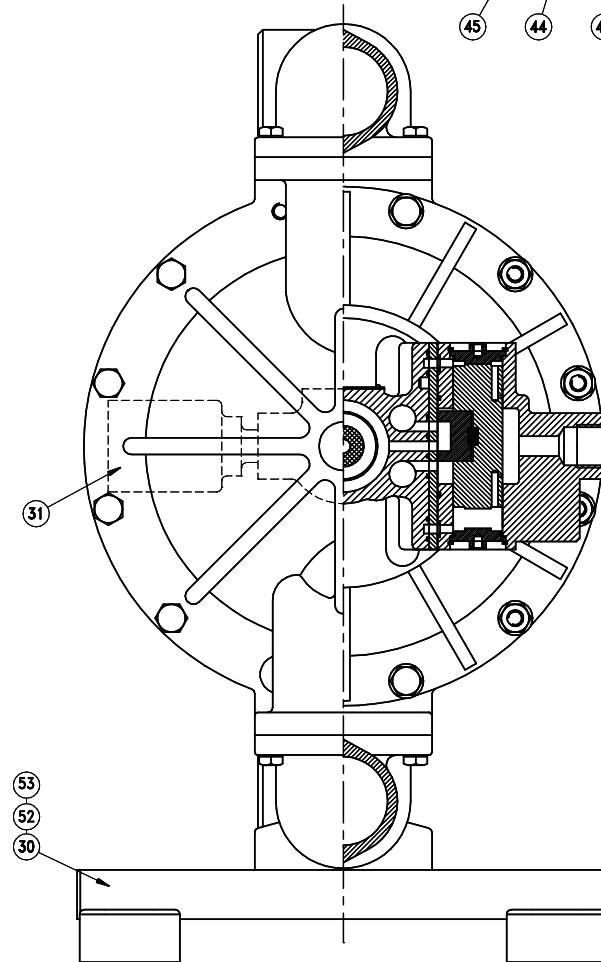
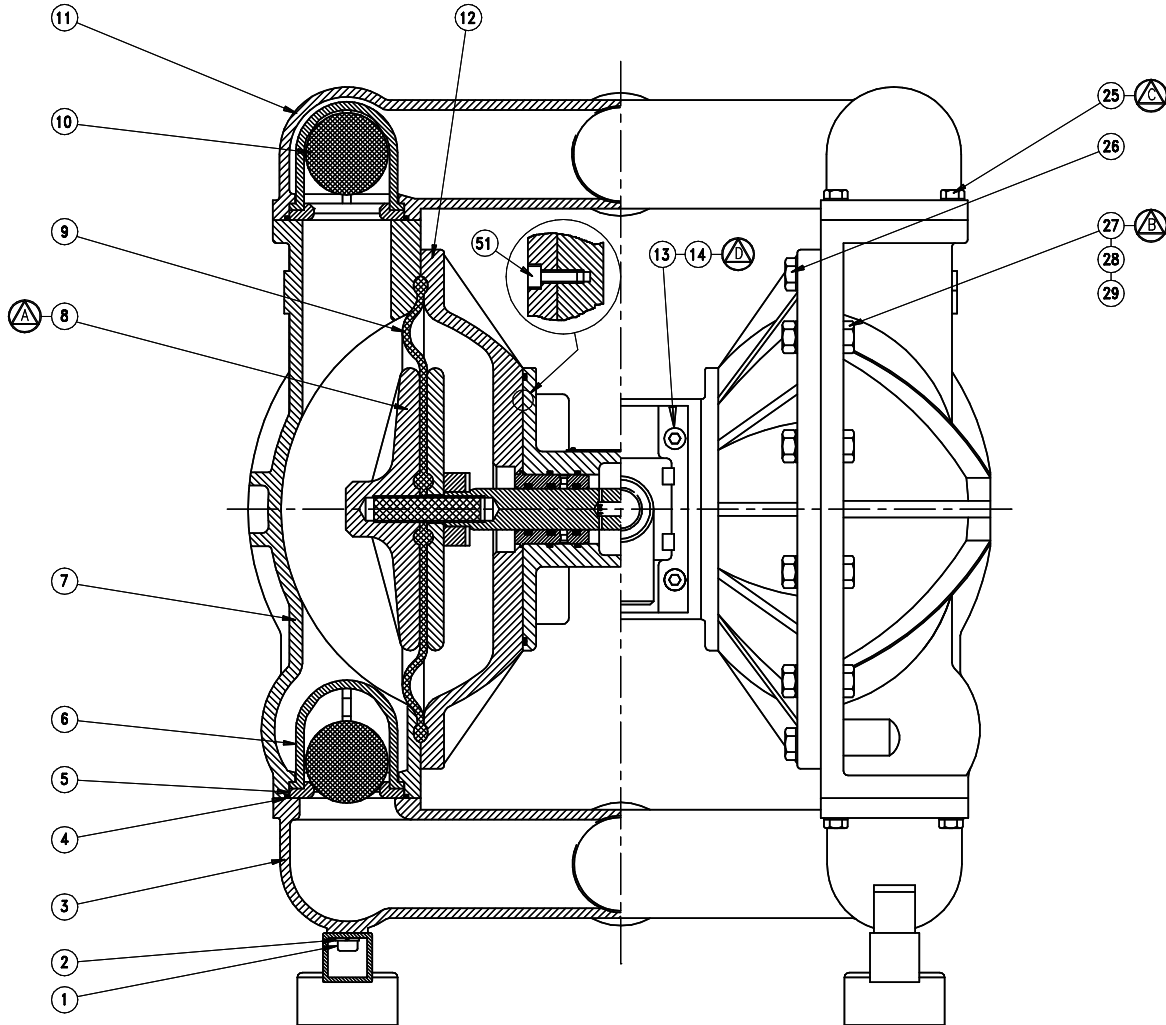
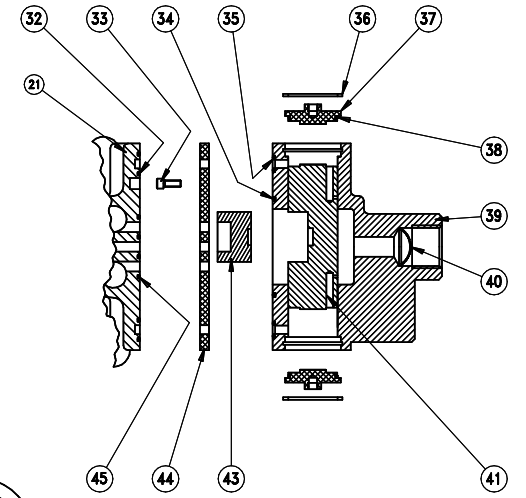
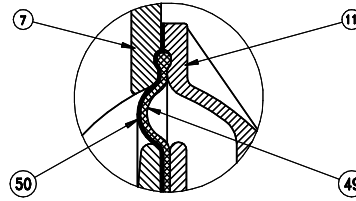
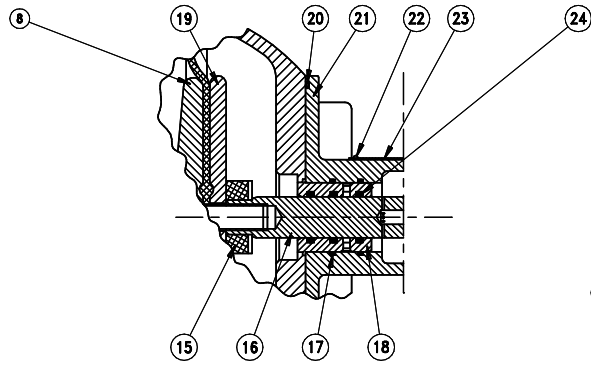
REF No.	DESCRIPTION	BUNA-N	EPDM	VITON	NEOPRENE	ST. STEEL	QTY
4	O-RING - (VALVE SEAT) ***	G029	G031	G119	G149	-	4
5	VALVE SEAT	1B145	1B174	1B175	1B173	1B085	4
9	DIAPHRAGM	1B004	1B002	1B003	1B001	-	2
10	VALVE BALL	1B010	1B052	1B055	1B056	1B109	4
10	VALVE BALL - (WEIGHTED)	1B079	1B080	1B088	1B027	-	4

REF No.	DESCRIPTION	PTFE	POLYESTER	DELTRIN (ACETAL)	POLYURETHANE	QTY
4	O-RING - (VALVE SEAT) ***	G111	-	-	-	4
9	DIAPHRAGM	SEE TABLE	1B029	-	1B048	2
10	VALVE BALL	1B053	-	1B065	-	4

◆ - These items are available in a recommended spares kit. Please refer to your local stockist / distributor for details.

□ - These items are available in a recommended spares kit - SA10119 - Air side Kit.

*** - Item (4) is only required when using metallic valve seats, item (5).



TORQUE SETTINGS	
A	- 108 Nm (79 lb/ft)
B	- 24.3 Nm (17.8 lb/ft)
C	- 24.3 Nm (17.8 lb/ft)
D	- 21.6 Nm (16 lb/ft)