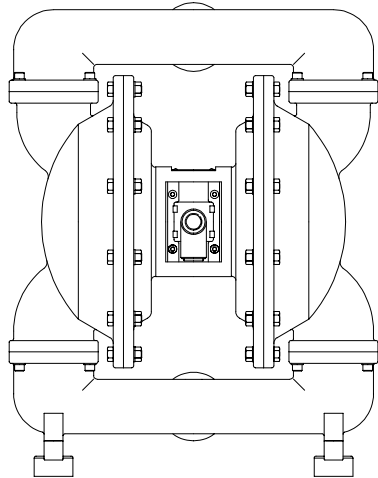


# MANUAL AND PARTS

## B75

DIAPHRAGM PUMP  
(ALL STAINLESS STEEL MODELS)



DISTRIBUTOR

### IMPORTANT

This pump should be used in accordance with the requirements of the Health and Safety at Work Act 1974. All business conducted subject to Blagdon Pump. Terms and Conditions of Sale, available on request.

## BLAGDON PUMP

A Unit of IDEX Corporation

LAMBERT ROAD, ARMSTRONG, WASHINGTON,  
TYNE & WEAR NE37 1QP  
ENGLAND.  
TEL. : (0191) 4177475 FAX. : (0191) 4175435  
Web Site : [www.blagdonpump.com](http://www.blagdonpump.com)  
E-Mail : [sales@blagdonpump.com](mailto:sales@blagdonpump.com)

HG-CF-819 Rev E

## MATERIAL SPECIFICATIONS

TYPICAL CODE = 1C - SS - BB - BBB

MODEL - B75

WETTED COMPONENTS

S : 316 ST. STEEL

NON-WETTED COMPONENTS

S : 316 ST. STEEL

VALVE TYPE

B : BALL VALVE  
W : WTD BALL VALVE

SUCTION ORIENTATION

B : BOTTOM

VALVE SEATS

S : ST. STEEL

\* : ALL RUBBER OPTIONS

VALVE BALLS

T : PTFE

N : NEOPRENE

D : ACETAL

E : EPDM

S : ST. STEEL

V : VITON

B : BUNA - N

DIAPHRAGMS

B : BUNA - N

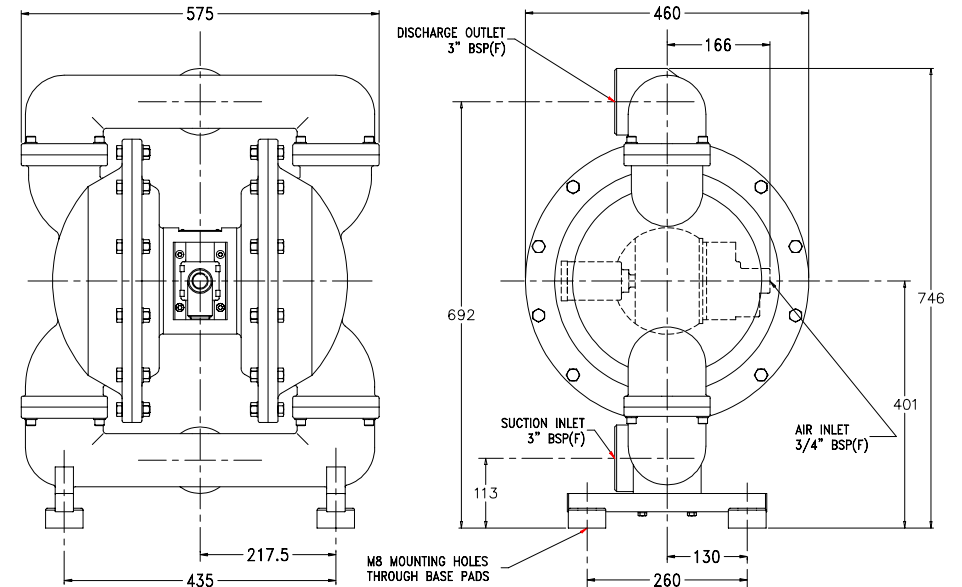
T : PTFE

E : EPDM

V : VITON

N : NEOPRENE

## DIMENSIONS



## TECHNICAL DATA

Max. Working Pressure : 8.6 bar (125 psi)  
Max. Solid Particle Size : 10mm  
Temperature Limits : Determined by  
Elastomers  
Air Inlet : 3/4" BSP(F)  
Fluid Inlets : 3" BSP(F)

Pump Weight : SS - 161 Kg

## PARTS LIST

REF NO	PART NUMBER			COMMON PARTS	DESCRIPTION	QTY
	MATERIALS OF CONSTRUCTION					
	CAST IRON	ST. STEEL	ALUMINIUM			
1				D028	SOCKET CAP SCREW	12
2				1B025	BASE PAD	4
3		A035			BOLT	4
4		C044			WASHER	4
5		1C079			SUCTION MANIFOLD	1
6				SEE BELOW	VALVE BALL	◆ 4
7		1C027			VALVE SEAT	4
8				SEE BELOW	O-RING (VALVE SEAT)	◆ 4
9				1C070	BALL CAGE	4
10		1C082			OUTER COVER	2
11				SEE BELOW	DIAPHRAGM	◆ 2
12				1C001	DIAPHRAGM - BACK-UP	◆ 2
13		D314			SOCKET CAP SCREW	12
14				1C097	BACKPLATE	2
15		1C011			FRONTPLATE	2
16				1C067	BUMPSTOP	2
17				SA10093	DIAPHRAGM SHAFT ASSEMBLY	1
18		1C056			INNER COVER	2
19		1C088			DISCHARGE MANIFOLD	1
20				G112	O-RING (VALVE CHEST)	□ 2
21		1C057			VALVE CHEST	1
22				G166	O-RING (DIAPHRAGM SHAFT)	□ 6
23				G167	O-RING (SHAFT BUSH)	□ 4
24				1C047	DIAPHRAGM SHAFT BUSH	2
25		B196			NUT	24
26		C036			WASHER	48
27		A313			BOLT	24
28		D312			SOCKET CAP SCREW	16
29		C146			WASHER	16
30				D222	SOCKET CAP SCREW	4
31				C165	WASHER	4
32				1B114	SILENCER	1
33				D117	SOCKET CAP SCREW	2
34				G205	O-RING (VALVE CHEST)	□ 2
35				1B137	TRANSITION PLATE	1
36				1B126	VALVE PLATE	1
37				G207	O-RING (VALVE BLOCK)	□ 4

## PARTS LIST - cont.

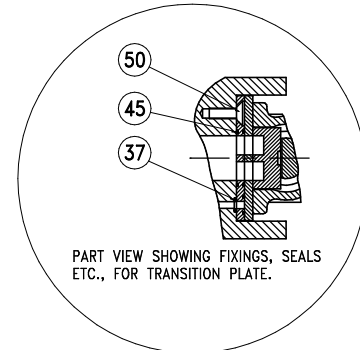
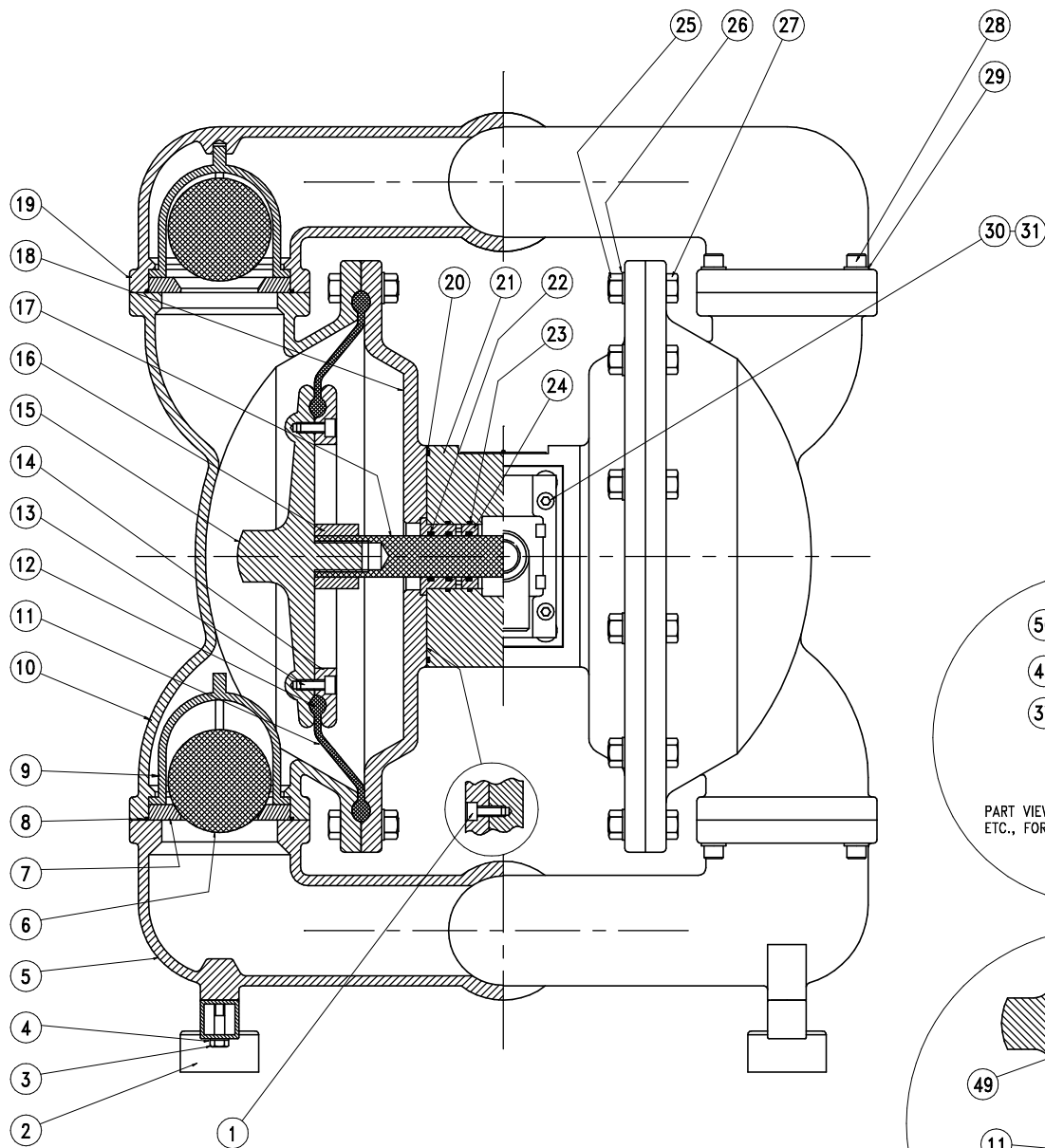
REF NO	PART NUMBER			COMMON PARTS	DESCRIPTION	QTY
	MATERIALS OF CONSTRUCTION					
	CAST IRON	ST. STEEL	ALUMINIUM			
38				1C021	VALVE BLOCK PLUG	2
39				H125	CIRCLIP	2
40				G130	O-RING (VALVE BLOCK PLUG)	□ 2
41				G206	O-RING (VALVE BLOCK)	□ 1
42				1B125	SLIDE VALVE	1
43				1B135	FILTER	□ 1
44				1B128	VALVE BLOCK	1
45			1B124		VALVE CARRIER	1
46				1B123	PORT SEAL	□ 2
47				1B193	BASE LEG - PLATED	2
48				1B034	BASE LEG CAP	4
49				1C058	DIAPHRAGM SHAFT WASHER	2
50				D311	SOCKET C'SUNK SCREW	4

ELASTOMER PART NUMBER						
REF No.	DESCRIPTION	BUNA-N	NEOPRENE	EPDM	VITON	QTY
6	VALVE BALL	1C009	1C023	1C024	1C025	4
6	VALVE BALL (WEIGHTED)	1C029	1C028	1C030	1C031	4
7	VALVE SEAT	1C119	1C099	1C121		4
8	VALVE SEAT O-RING	G030	G159	G129	G160	4
11	DIAPHRAGM	1C001	1C017	1C018	1C016	2

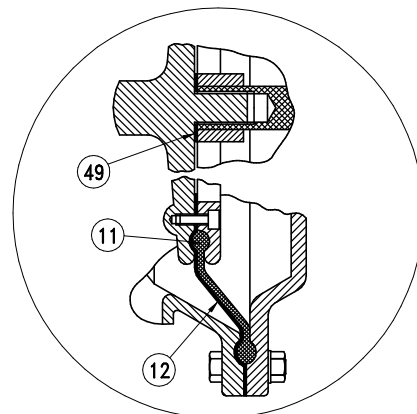
ELASTOMER PART NUMBER - CONTINUED					
REF No.	DESCRIPTION	PTFE	DELTRIN	STAINLESS STEEL	QTY
6	VALVE BALL	1C035	1C022	1C043	4
6	VALVE BALL (WEIGHTED)	-	-	-	4
7	VALVE SEAT		1C075		4
8	VALVE SEAT O-RING	G161	-	-	4
11	DIAPHRAGM	1C040 +	-	-	2
		ITEM 12	-	-	2

□ - These items are available in a recommended spares kit. SA10398 - Air Motor Seal Kit. (1C).

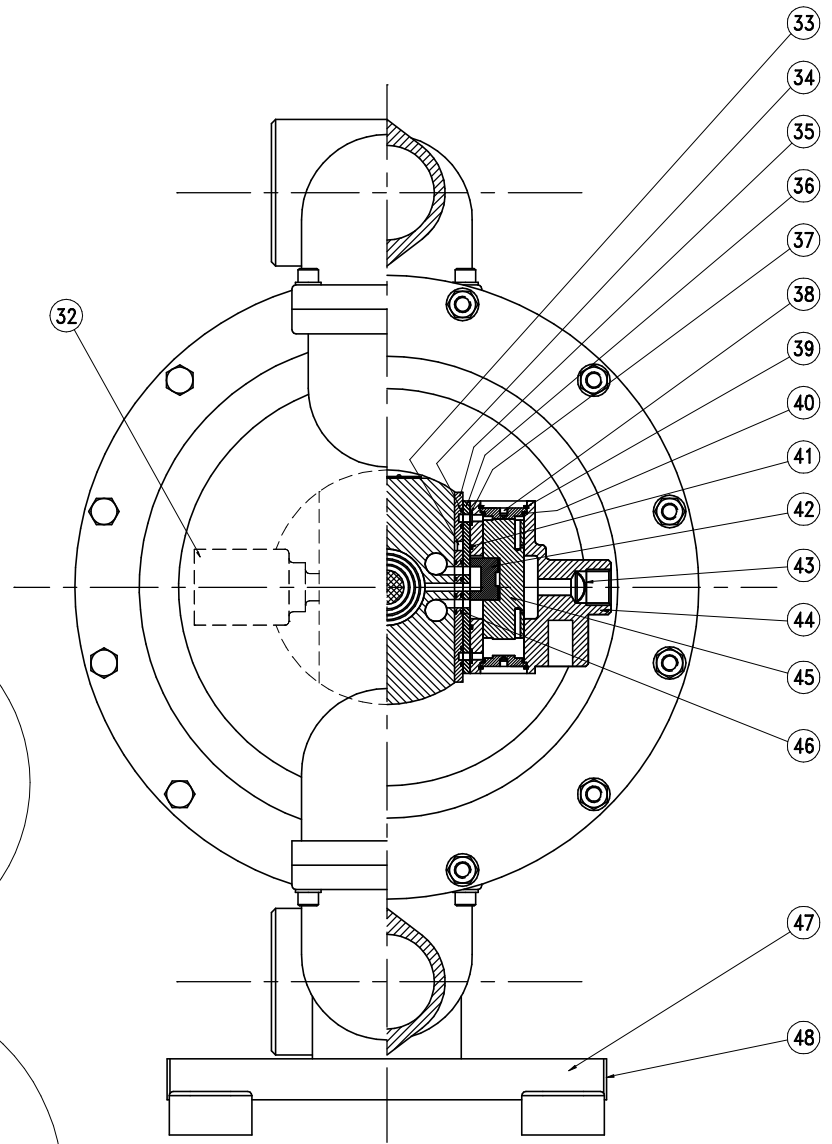
◆ - These items are available in a recommended spares kit. Please refer to your local



PART VIEW SHOWING FIXINGS, SEALS ETC., FOR TRANSITION PLATE.



PART VIEW SHOWING PUMP FITTED WITH PTFE DIAPHRAGM.



TORQUE SETTINGS	
REF	TORQUE
13	24.3 NM (18 LB/FT)
15	108 NM (80 LB/FT)
25	27 NM (20 LB/FT)
28	24.3 NM (18 LB/FT)
30	21.6 NM (16 LB/FT)