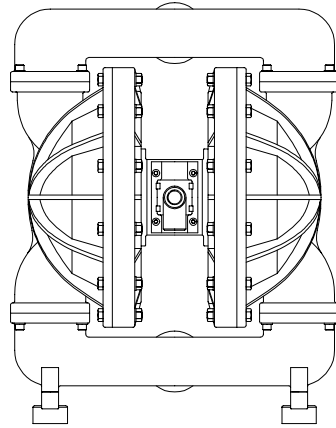


# MANUAL AND PARTS

## B75

DIAPHRAGM PUMP  
(EXCLUDING SS MODELS)



DISTRIBUTOR

### IMPORTANT

This pump should be used in accordance with the requirements of the Health and Safety at Work Act 1974.  
All business conducted subject to Blagdon Pump, Terms and Conditions of Sale, available on request.

## BLAGDON PUMP

A Unit of IDEX Corporation

LAMBERT ROAD, ARMSTRONG, WASHINGTON,  
TYNE & WEAR NE37 1QP  
ENGLAND.  
TEL. : (0191) 4177475 FAX. : (0191) 4175435  
Web Site : [www.blagdonpump.com](http://www.blagdonpump.com)  
E-Mail : [sales@blagdonpump.com](mailto:sales@blagdonpump.com)

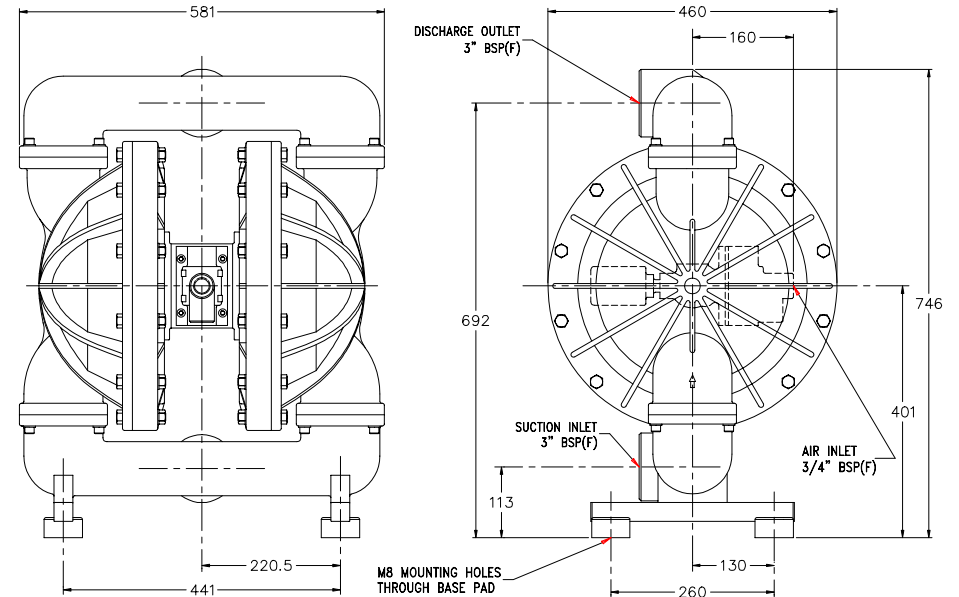
HG-CF-905 Rev 3

## MATERIAL SPECIFICATIONS

TYPICAL CODE = 1C - AA - BB - BBB

<b>MODEL - B75</b>								
<b>WETTED COMPONENTS</b> A : ALUMINIUM S : 316 ST. STEEL C : CAST IRON								
<b>NON-WETTED COMPONENTS</b> A : ALUMINIUM								
<b>VALVE TYPE</b> B : BALL VALVE W : WTD BALL VALVE								
<b>SUCTION ORIENTATION</b> B : BOTTOM								
								<b>VALVE SEATS</b> A : ALUMINIUM S : ST. STEEL * : ALL RUBBER OPTIONS
								<b>VALVE BALLS</b> T : PTFE            N : NEOPRENE D : ACETAL        E : EPDM S : ST. STEEL     V : VITON B : BUNA - N
								<b>DIAPHRAGMS</b> B : BUNA - N     T : PTFE E : EPDM V : VITON N : NEOPRENE

## DIMENSIONS



## TECHNICAL DATA

Max. Working Pressure : 8.6 bar (125 psi)  
Max. Solid Particle Size : 10mm  
Temperature Limits : Determined by  
Elastomers  
Air Inlet : 3/4" BSP(F)  
Fluid Inlets : 3" BSP(F)

Pump Weight : AA - 73 Kg  
CA - 123 Kg  
CC - 160 Kg  
SA - 115 Kg  
SC - 162 Kg

## PARTS LIST

REF NO	PART NUMBER			COMMON PARTS	DESCRIPTION	QTY
	MATERIALS OF CONSTRUCTION					
	CAST IRON	ST. STEEL	ALUMINIUM			
1				D028	SOCKET CAP SCREW	12
2				1B025	BASE PAD	4
3		D314		D172	SOCKET CAP SCREW	4
4		C044		C013	WASHER	4
5	1C078	1C079	1C077		SUCTION MANIFOLD	1
6				SEE BELOW	VALVE BALL	◆ 4
7		1C027	1C008		VALVE SEAT	4
8				SEE BELOW	O-RING (VALVE SEAT)	◆ 4
9				1C070	BALL CAGE	4
10	1C081	1C082	1C080		OUTER COVER	2
11				SEE BELOW	DIAPHRAGM	◆ 2
12				1C001	DIAPHRAGM - BACK-UP	◆ 2
13		D314		D172	SOCKET CAP SCREW	12
14	1C097	1C097	1C066		BACKPLATE	2
15	1C010	1C011	1C006		FRONTPLATE	2
16		1C067	1C061		BUMPSTOP	2
17				SA10093	DIAPHRAGM SHAFT ASSEMBLY	1
18	1C042		1C002		INNER COVER	2
19	1C087	1C088	1C086		DISCHARGE MANIFOLD	1
20				G112	O-RING (VALVE CHEST)	□ 2
21	1C071	1C057	1C069		VALVE CHEST	1
22				G166	O-RING (DIAPHRAGM SHAFT)	□ 6
23				G167	O-RING (SHAFT BUSH)	□ 4
24				1C047	DIAPHRAGM SHAFT BUSH	2
25		B196		B037	NUT	24
26		C036		C002	WASHER	48
27		A491		A490	BOLT	24
28		D312		D249	SOCKET CAP SCREW	16
29		C146		C026	WASHER	16
30				D222	SOCKET CAP SCREW	4
31				C165	WASHER	4
32				1B114	SILENCER	1
33				G205	O-RING (VALVE CHEST)	□ 2
34				D117	SOCKET CAP SCREW	2
35				G206	O-RING (VALVE BLOCK)	□ 1
36				G207	O-RING (VALVE BLOCK)	□ 2
37				H125	CIRCLIP	2

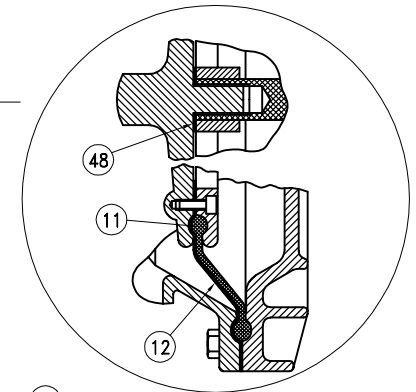
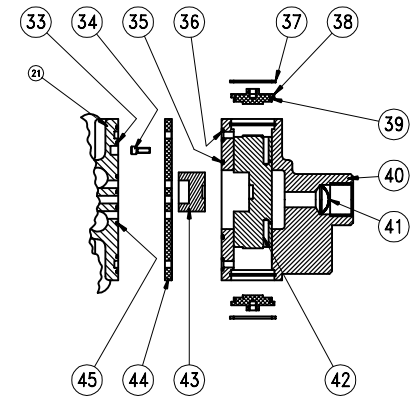
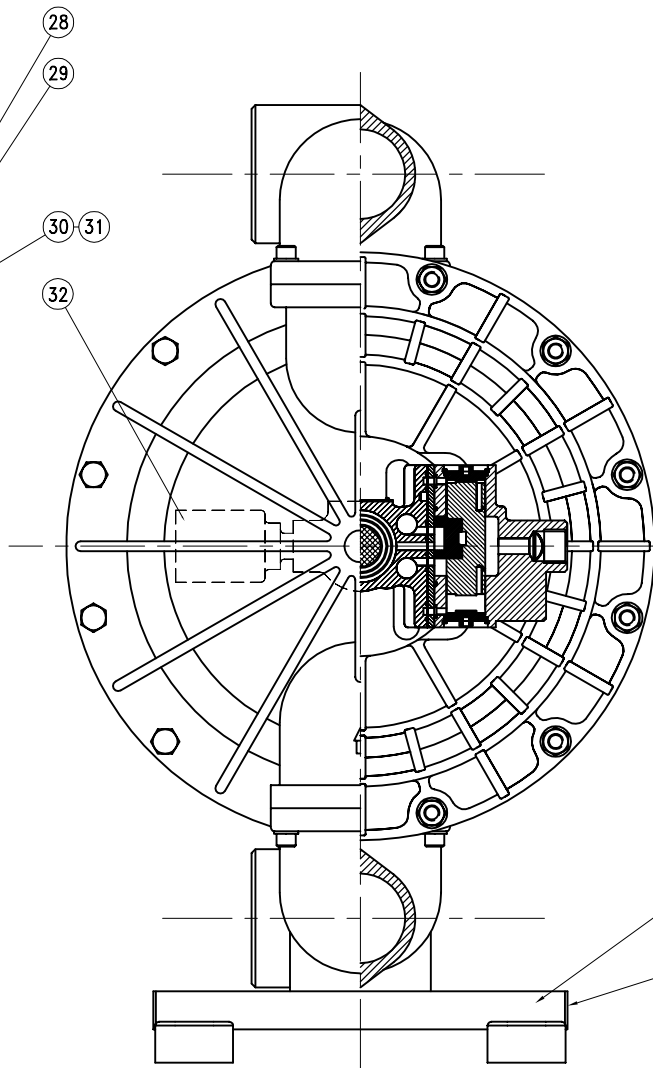
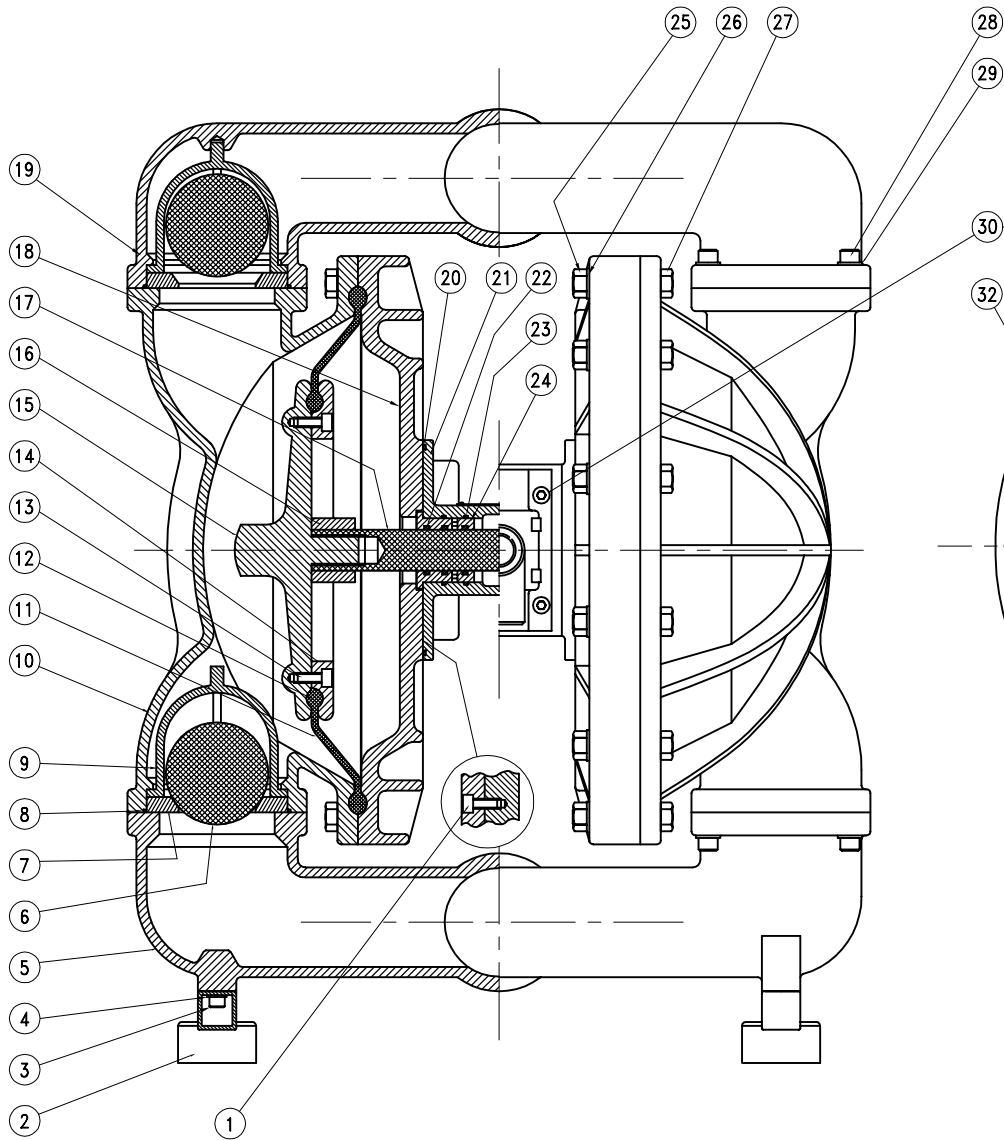
## PARTS LIST - cont.

REF NO	PART NUMBER			COMMON PARTS	DESCRIPTION	QTY
	MATERIALS OF CONSTRUCTION					
	CAST IRON	ST. STEEL	ALUMINIUM			
38				1C021	VALVE BLOCK PLUG	2
39				G130	O-RING (VALVE BLOCK PLUG)	□ 2
40				1B128	VALVE BLOCK	1
41				1B135	FILTER	□ 1
42	1B133	1B133	1B124		VALVE CARRIER	1
43				1B125	SLIDE VALVE	1
44				1B126	VALVE PLATE	1
45				1B123	PORT SEAL	□ 1
46	1B193	1B193	1B024		BASE LEG	2
47				1B034	BASE LEG CAP	4
48				1C058	DIAPHRAGM SHAFT WASHER	2

ELASTOMER PART NUMBER						
REF No.	DESCRIPTION	BUNA-N	NEOPRENE	EPDM	VITON	QTY
6	VALVE BALL	1C009	1C023	1C024	1C025	4
6	VALVE BALL (WEIGHTED)	1C029	1C028	1C030	1C031	4
7	VALVE SEAT	1C119	1C099	1C121		4
8	VALVE SEAT O-RING	G030	G159	G129	G160	4
11	DIAPHRAGM	1C001	1C017	1C018	1C016	2

ELASTOMER PART NUMBER - CONTINUED					
REF No.	DESCRIPTION	PTFE	DELIN	STAINLESS STEEL	QTY
6	VALVE BALL	1C035	1C022	1C043	4
6	VALVE BALL (WEIGHTED)	-	-	-	4
7	VALVE SEAT		1C075		4
8	VALVE SEAT O-RING	G161	-	-	4
11	DIAPHRAGM	1C040 +	-	-	2
		ITEM 12	-	-	2

- - These items are available in a recommended spares kit. SA10152 - Air Motor Seal Kit. (1C).
- ◆ - These items are available in a recommended spares kit. Please refer to your local stockist / distributor or manufacturer for details.



PART VIEW SHOWING PUMP  
FITTED WITH PTFE DIAPHRAGM.

46

47

TORQUE SETTINGS	
REF	TORQUE
13	24.3 NM (18 LB/FT)
15	108 NM (80 LB/FT)
25	27 NM (20 LB/FT)
28	24.3 NM (18 LB/FT)
30	21.6 NM (16 LB/FT)